

2025 CATALOGUE

... a light breeze

LYX
LUMINAIRES

LYX-luminaire ...

... creates a wide range of solar and low consumption LED lamps.
designed by Claude Robin.

Made in France, the outdoor lightings are subject to the most demanding constraints.

Pathway lights to illuminate an alley,
spots to brighten a tree,
floor lamps for garden lighting.

From ephemeral festive ambiance to more functional installations, each lamp contributes to the creation of a unique luminous universe.

Since 2013, LYX-Luminaire has been committed to a responsible approach

* Through Eco-design

From the pre-study stage, the products are designed with the intention of reducing material consumption as well as the energy required for manufacturing (Limit the number of welds, optimize cutting ...), to maximize the life of the product.

* The use of solar sources

Designed and developed in France by an independent engineering office, solar collectors are regularly optimized according to the latest technological advances .

The current components allow increasingly efficient yields.

* The use of low consumption LED sources

LED sources generate the highest efficiency. Miniaturized devices are perfectly integrated into steel envelopes, to provide direct and indirect lighting.

* Local manufacturing in France

The assumed choice of local manufacturing in France is part of our identity. We share with our ISO 9001 & ISO 3834 certified partner workshops, the recognition of our products.

* The durability of our repairable and scalable products

We are able to repair a damaged product or repaint a product faded over time. Our new lighting sources are compatible with our original models.

* The use of returnable dust covers ...

We manufacture dust covers, made of linen from France. Once returned, the dust covers are reused for our shipments.

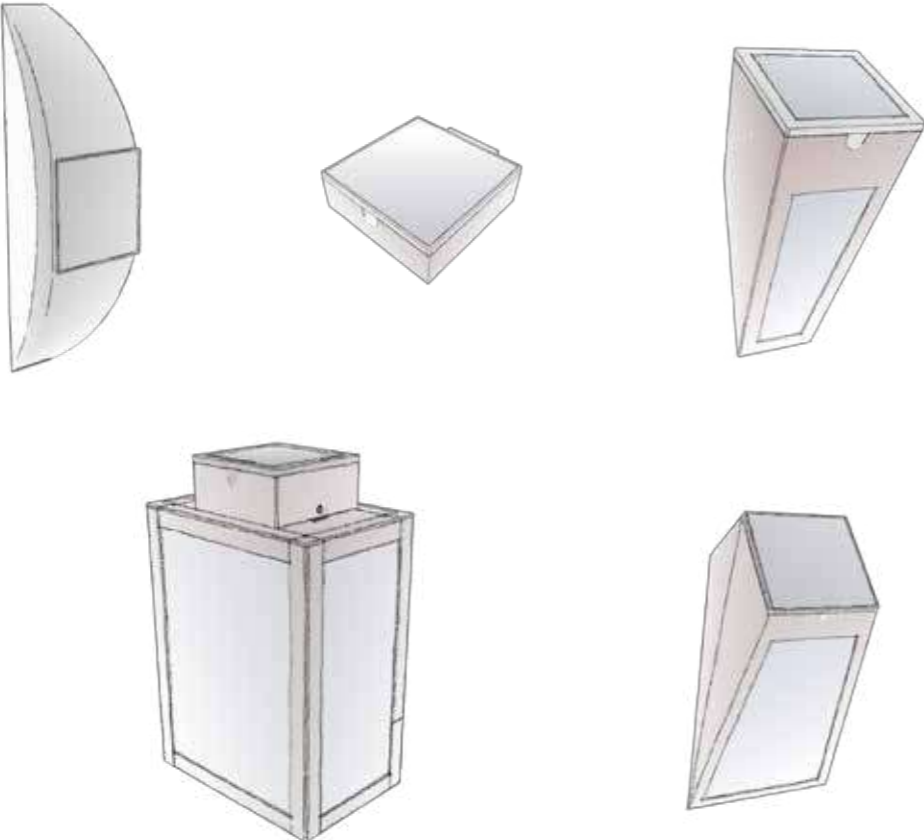
* ... and of reused packaging

We optimize the reuse of pallets, cartons and multi-material shims from our suppliers with the goal of achieving zero packaging waste.

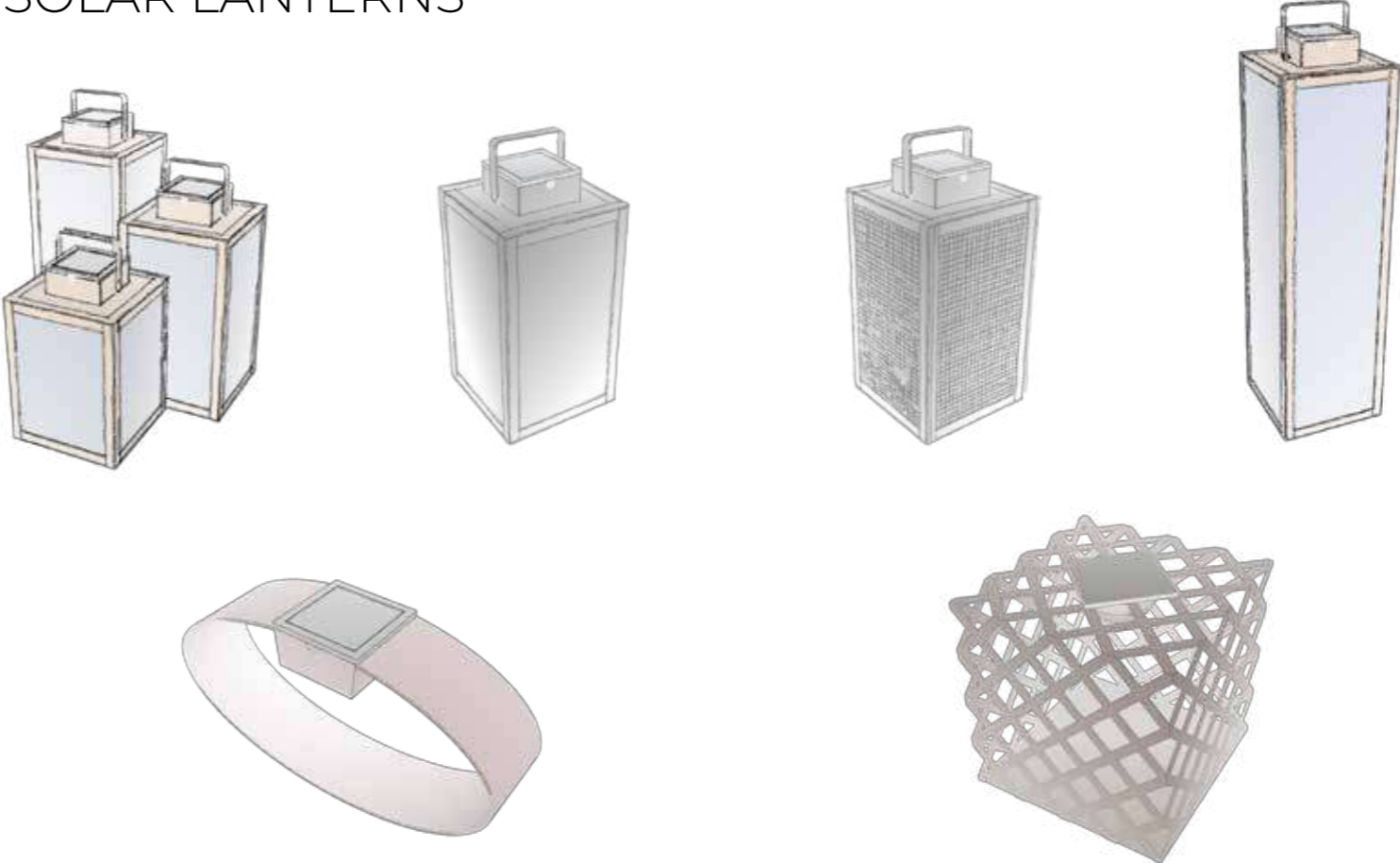
*Solar
collection*



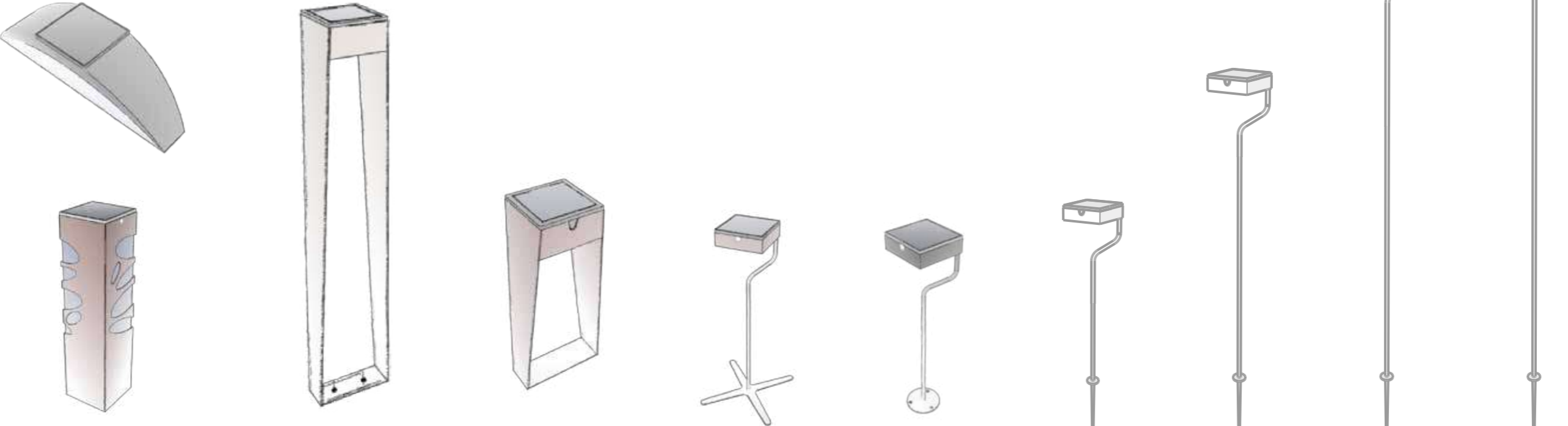
SOLAR WALL LAMPS



SOLAR LANTERNS

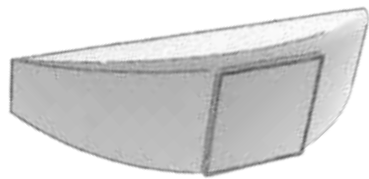


SOLAR PATHWAY LIGHTS



moon shape

Solar wall lamp Trait de lune



2 possible positions



- use :
highlight a wall, an entrance, ...
- presence detector
- steel structure, polyzinc treatment
- diffusing ACRYL satin
- epoxy paint finishing
- dimensions : 450 x 125 x 140 mm



Ivory

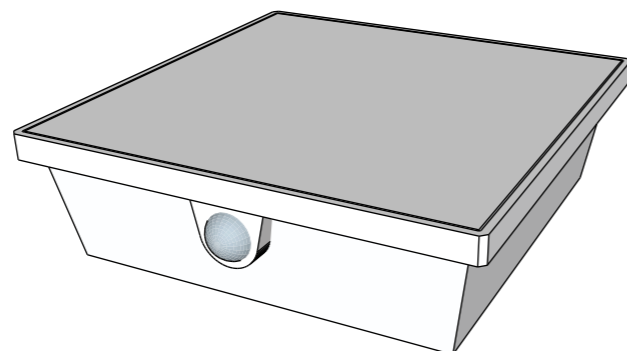
Charcoal grey
(RAL 7021)

Corten rust

SOLAR BLOCK

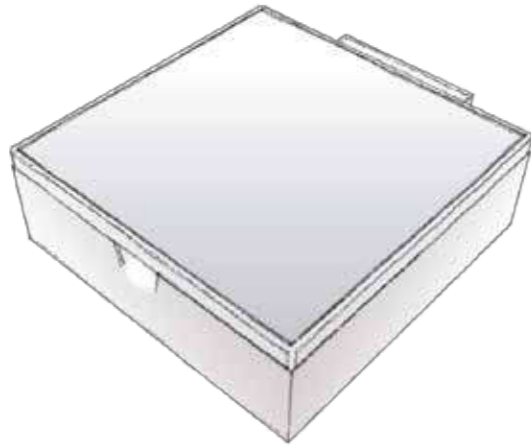
KYBSUN (KYB 010)

- 500 LUMENS
- 10 LED
- 3000° K. / warm white
- power : 3W
- adjustable intensity
- IP 65 waterproof
- recharge : solar or sector
- autonomy : from 5 H. to 200 H.



condensed sunlight

Solar wall lamp APS 010

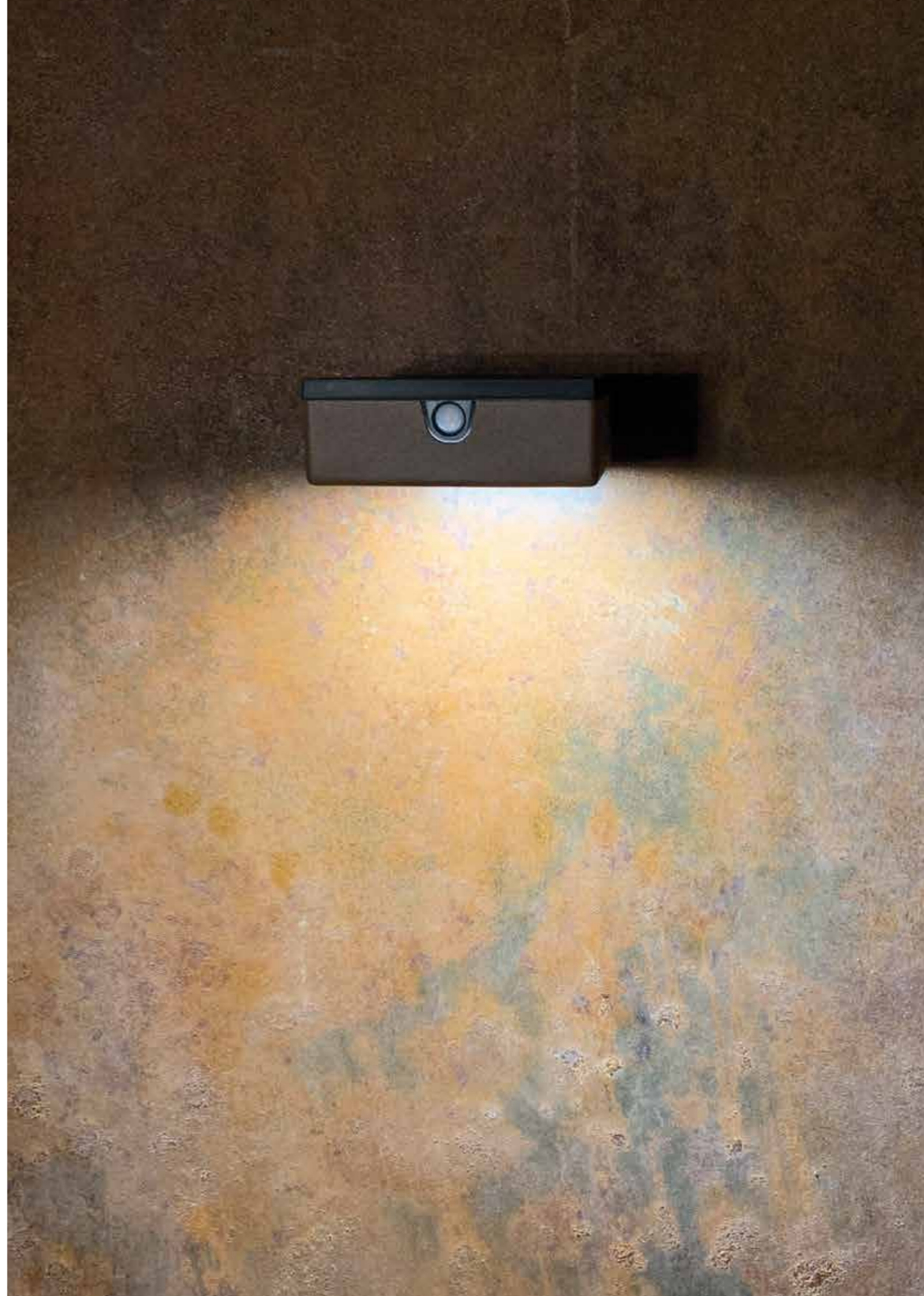
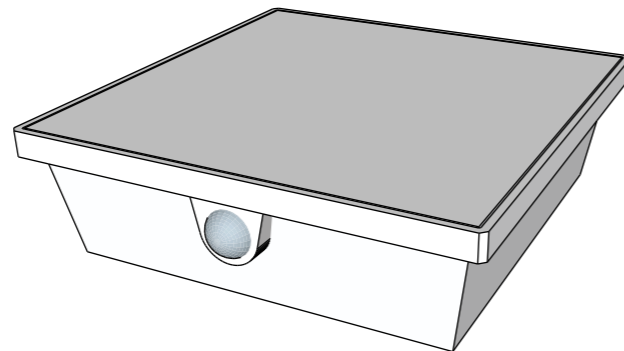


· use :
highlight a wall, an entrance, ...

- presence detector
- steel structure
- epoxy paint finishing
- dimensions : 125 x 165 x 45 mm

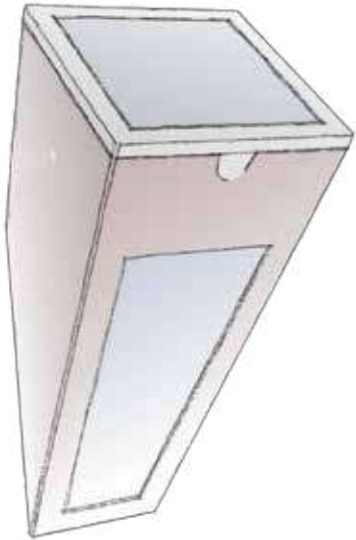


- SOLAR BLOCK
KYBSUN (KYB 010)
- 500 LUMENS
 - 10 LED
 - 3000° K. / warm white
 - power : 3W
 - adjustable intensity
 - IP 65 waterproof
 - recharge : solar or sector
 - autonomy : from 5 H. to 200 H.



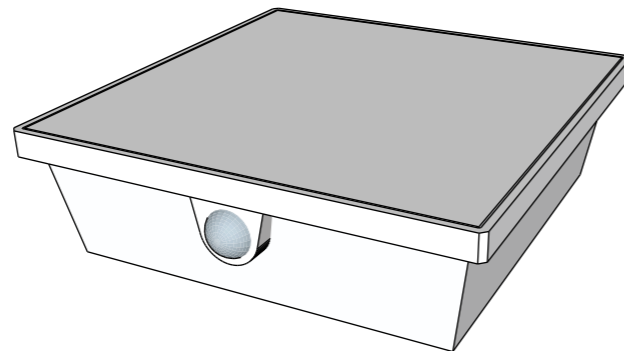
south, southwest

Solar wall lamp APS 020



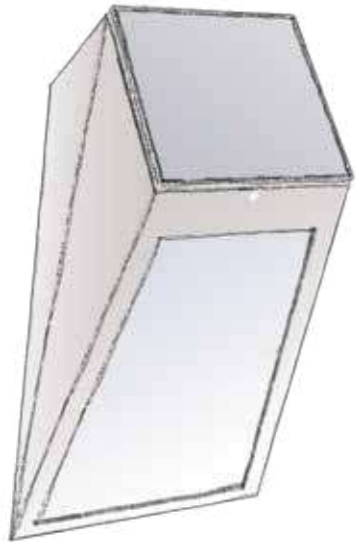
- use :
highlight a wall, a pillar, ... (South oriented)
- presence detector
- steel structure 15/10°
- polycarbonate diffuser
- epoxy paint finishing
- dimensions : 125 x 165 x 315 mm

- SOLAR BLOCK
KYBSUN (KYB 010)
- 500 LUMENS
 - 10 LED
 - 3000° K. / warm white
 - power : 3W
 - adjustable intensity
 - IP 65 waterproof
 - recharge : solar or sector
 - autonomy : from 5 H. to 200 H.



solar angle

Solar wall lamp APS 025



Ivory

Charcoal grey
(RAL 7021)

Corten rust

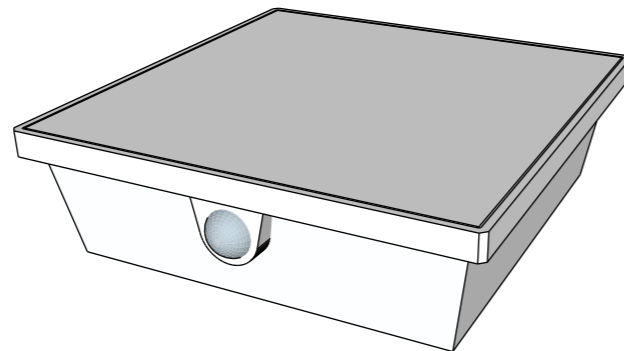
- use :
highlight a terrace, a balcony, a gate, ...
(South oriented)

- presence detector
- steel structure 15/10°
- polycarbonate diffuser
- epoxy paint finishing
- dimensions : 205 x 205 x 365 mm

SOLAR BLOCK

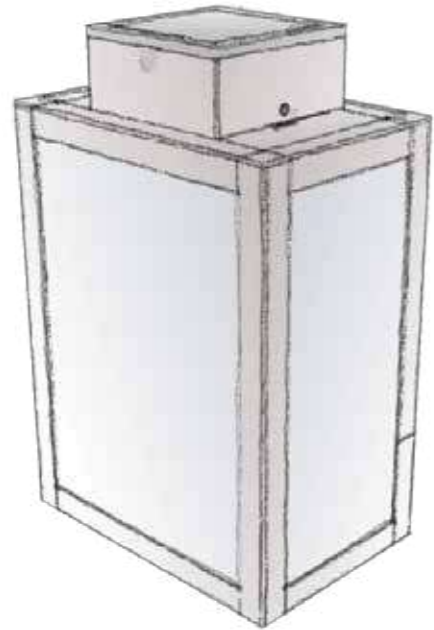
KYBSUN (KYB 010)

- 500 LUMENS
- 10 LED
- 3000° K. / warm white
- power : 3W
- adjustable intensity
- IP 65 waterproof
- recharge : solar or sector
- autonomy : from 5 H. to 200 H.



solar wall

Solar wall lamp APS 030

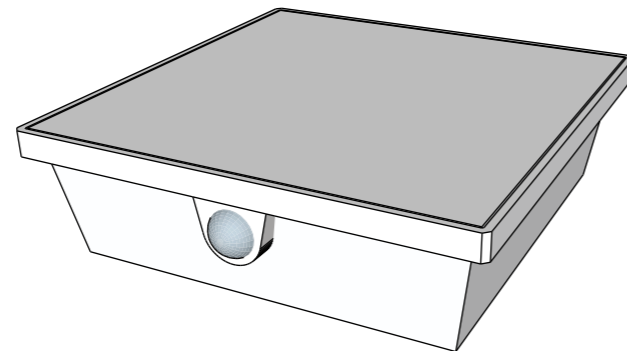


· use :
highlight a wall, a pillar, ... (South oriented)

- presence detector
- steel structure 15/10°
- satin Acryl or 3 mm glass on demand
- epoxy paint finishing
- dimensions : 245 x 165 x 380 mm

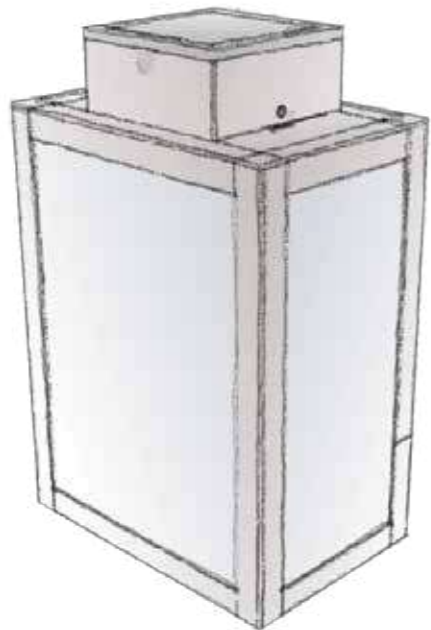


- SOLAR BLOCK
KYBSUN (KYB 010)
- 500 LUMENS
 - 10 LED
 - 3000° K. / warm white
 - power : 3W
 - adjustable intensity
 - IP 65 waterproof
 - recharge : solar or sector
 - autonomy : from 5 H. to 200 H.



solar frame

Solar wall lamp APS 030 FRAME

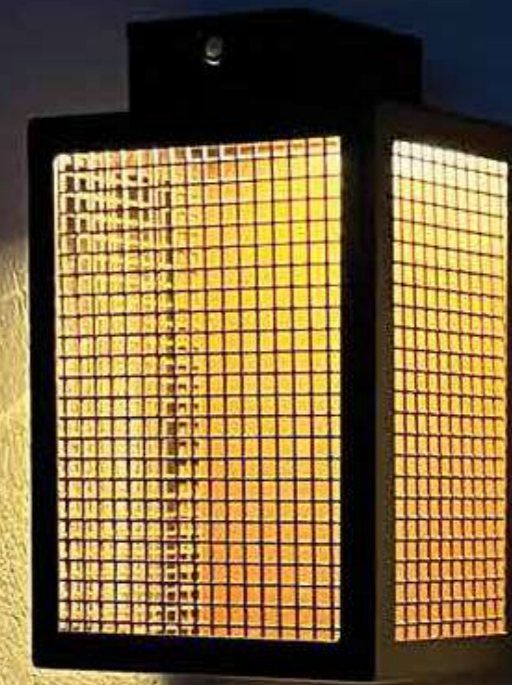
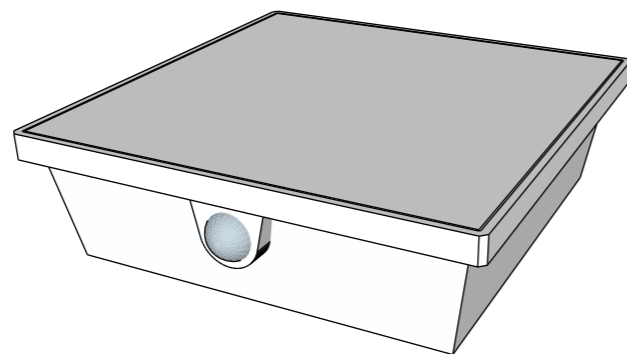


· use :
highlight a wall, a pillar, ... (South oriented)

- presence detector
- steel structure 15/10°
- satin Acryl or 3 mm glass on demand
- epoxy paint finishing
- dimensions : 245 x 165 x 380 mm



- SOLAR BLOCK
KYBSUN (KYB 010)
- 500 LUMENS
 - 10 LED
 - 3000° K. / warm white
 - power : 3W
 - adjustable intensity
 - IP 65 waterproof
 - recharge : solar or sector
 - autonomy : from 5 H. to 200 H.



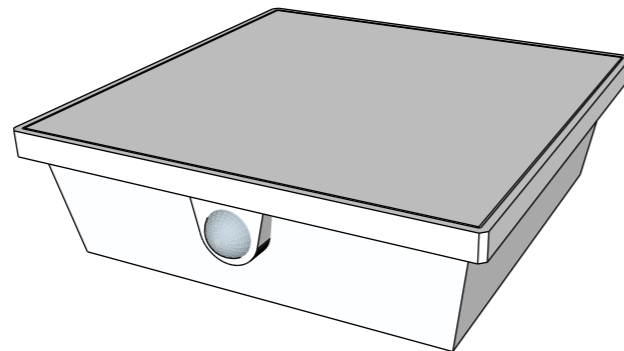
solar accent

Solar pathway light TEE



- use :
markup a path, a garden, ...
- presence detector
- steel structure
- epoxy paint finishing
- dimensions : 125 x 125 x 500 mm

- SOLAR BLOCK
KYBSUN (KYB 010)
- 500 LUMENS
 - 10 LED
 - 3000° K. / warm white
 - power : 3W
 - adjustable intensity
 - IP 65 waterproof
 - recharge : solar or sector
 - autonomy : from 5 H. to 200 H.



solar accent

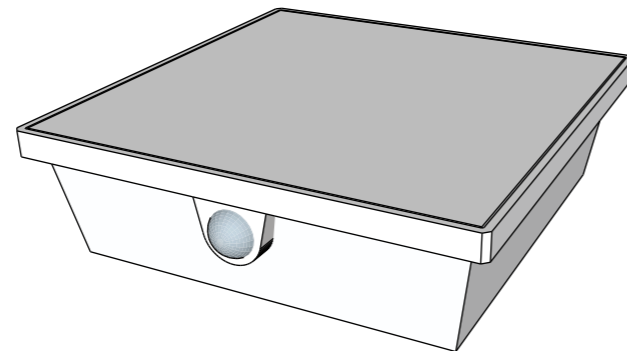
Solar pathway light TEE round base



- use :
markup a path, a garden, ...
- presence detector
- steel structure
- epoxy paint finishing
- dimensions : 125 x 125 x 500 mm

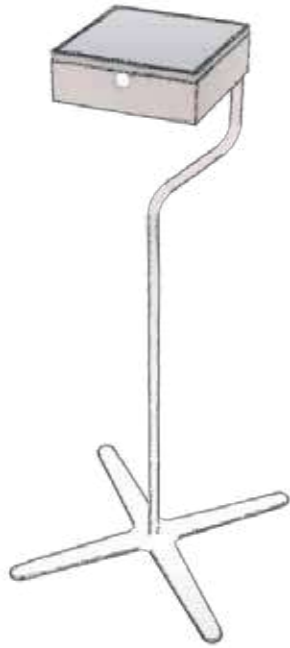


- SOLAR BLOCK
KYBSUN (KYB 010)
- 500 LUMENS
 - 10 LED
 - 3000° K. / warm white
 - power : 3W
 - adjustable intensity
 - IP 65 waterproof
 - recharge : solar or sector
 - autonomy : from 5 H. to 200 H.



Tee for two

Solar candlestick TEE

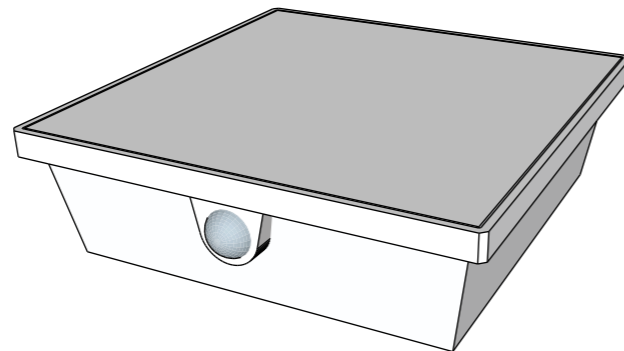


- use :
table lighting
- presence detector
- steel structure
- epoxy paint finishing
- dimensions : 300 x 300 x 500 mm

SOLAR BLOCK

KYBSUN (KYB 010)

- 500 LUMENS
- 10 LED
- 3000° K. / warm white
- power : 3W
- adjustable intensity
- IP 65 waterproof
- recharge : solar or sector
- autonomy : from 5 H. to 200 H.



SOLAR

sky is the limit

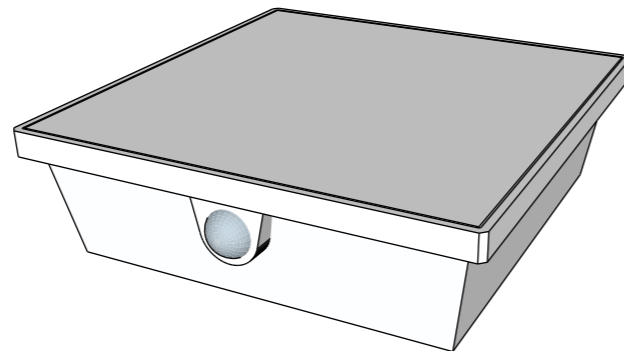
TEE XL



- use :
markup a path, a garden, ...
- presence detector
- steel structure
- epoxy paint finishing
- dimensions : 125 x 125 x 1950 mm



- SOLAR BLOCK
KYBSUN (KYB 010)
- 500 LUMENS
 - 10 LED
 - 3000° K. / warm white
 - power : 3W
 - adjustable intensity
 - IP 65 waterproof
 - recharge : solar or sector
 - autonomy : from 5 H. to 200 H.





Solar pathway light
4 sizes available :

tee

700 mm



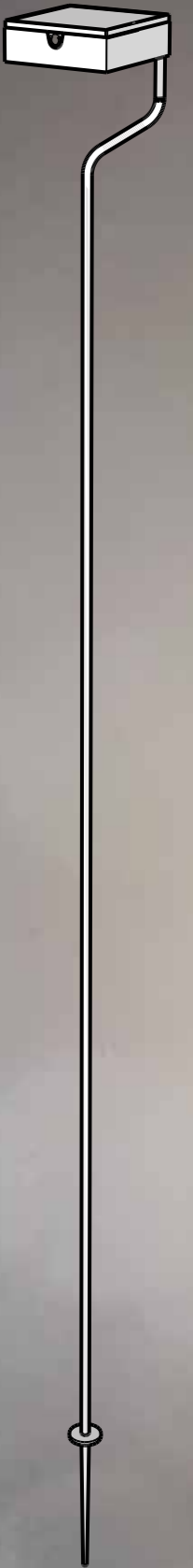
1100 mm



1500 mm



1850 mm



moon shape

Solar pathway light Trait de lune



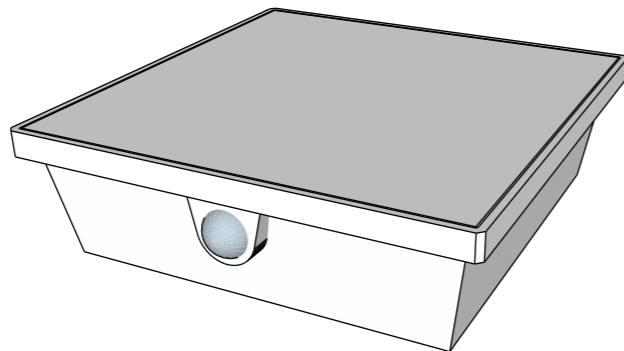
Ivory

Charcoal grey
(RAL 7021)

Corten rust

- use :
mark up paths, terraces, ...
can also be used as a spotlight for tree lighting,
plants, facades, pillars, ...

- presence detector
- steel structure, polyzinc treatment
- diffusing ACRYL satin
- epoxy paint finishing
- dimensions : 450 x 125 x 140 mm

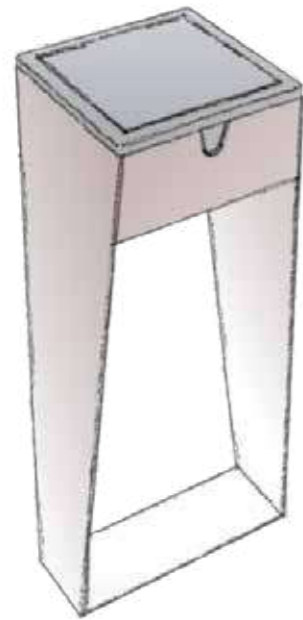


- SOLAR BLOCK
KYBSUN (KYB 010)
- 500 LUMENS
 - 10 LED
 - 3000° K. / warm white
 - power : 3W
 - adjustable intensity
 - IP 65 waterproof
 - recharge : solar or sector
 - autonomy : from 5 H. to 200 H.



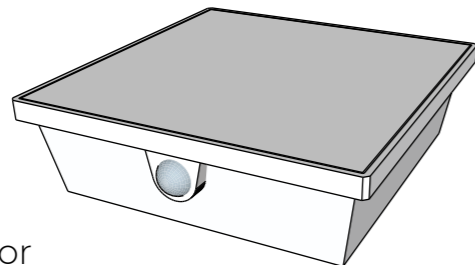
creepage distance

Solar pathway light BTS 400



- use :
markup a path, a car park, ...
- presence detector
- steel structure 4 mm
- epoxy paint finishing
- dimensions : 125 x 185 x 400 mm

- SOLAR BLOCK
KYBSUN (KYB 010)
- 500 LUMENS
 - 10 LED
 - 3000° K. / warm white
 - power : 3W
 - adjustable intensity
 - IP 65 waterproof
 - recharge : solar or sector
 - autonomy : from 5 H. to 200 H.



OPTIONAL
support for soft ground :
48 € excl. tax



perspective

Solar pathway light BTS 900



Ivory

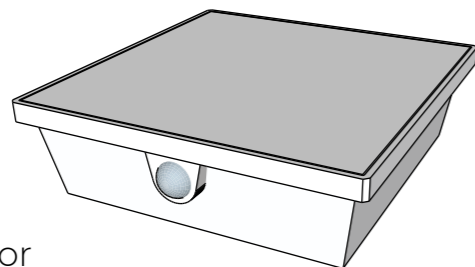
Charcoal grey
(RAL 7021)

Corten rust

- use :
markup a path, a car park, ...
- presence detector
- steel structure 4 mm
- epoxy paint finishing
- dimensions : 125 x 185 x 900 mm

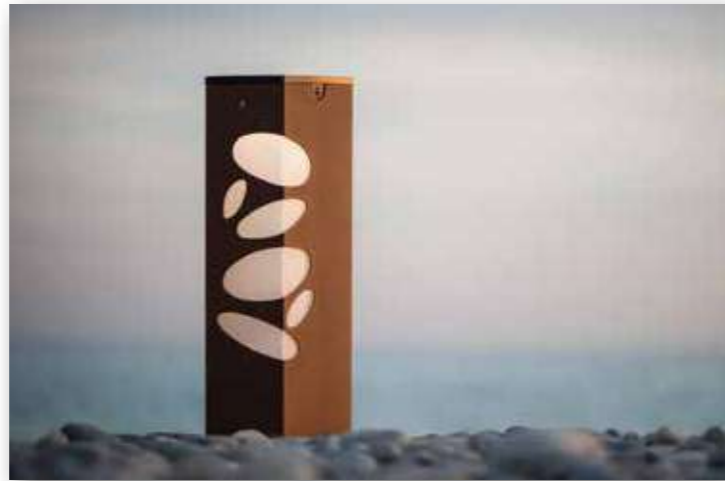
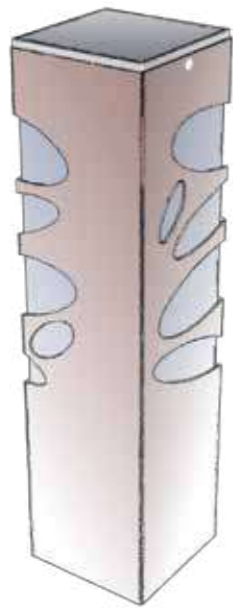
SOLAR BLOCK
KYBSUN (KYB 010)

- 500 LUMENS
- 10 LED
- 3000° K. / warm white
- power : 3W
- adjustable intensity
- IP 65 waterproof
- recharge : solar or sector
- autonomy : from 5 H. to 200 H.

OPTIONAL
support for soft ground :
48 € excl. tax

solar pebble

Solar pathway light BNS 011



- use :
markup a path, a car park, a terrace, ...
- presence detector
- Acryl satin diffuser 2 mm
- epoxy paint finishing
- dimensions : 125 x 125 x 400 mm



Ivory

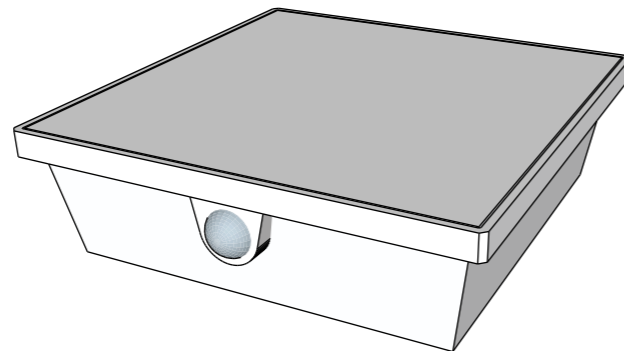
Charcoal grey
(RAL 7021)

Corten rust

SOLAR BLOCK

KYBSUN (KYB 010)

- 500 LUMENS
- 10 LED
- 3000° K. / warm white
- power : 3W
- adjustable intensity
- IP 65 waterproof
- recharge : solar or sector
- autonomy : from 5 H. to 200 H.



luminous foliage

Solar torch TOS 020



Ivory

Charcoal grey
(RAL 7021)

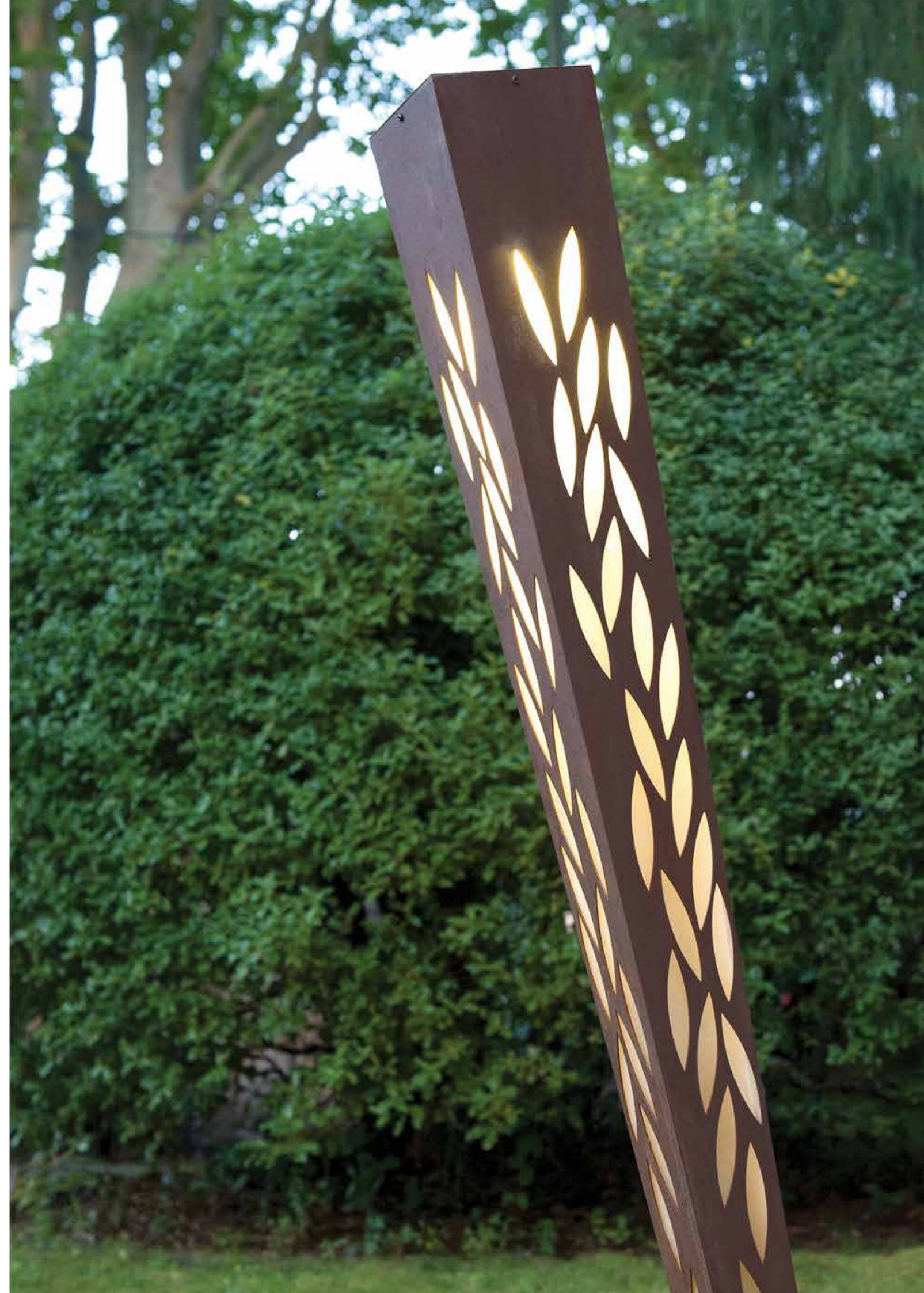
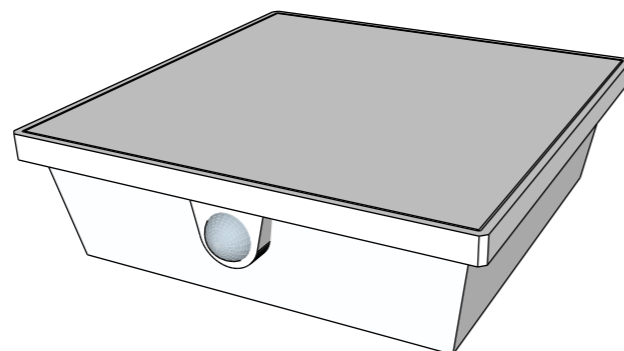
Corten rust

- use :
markup a path, a garden, ...
- presence detector
- steel structure
- epoxy paint finishing
- dimensions : 125 x 125 x 1190 mm

SOLAR BLOCK

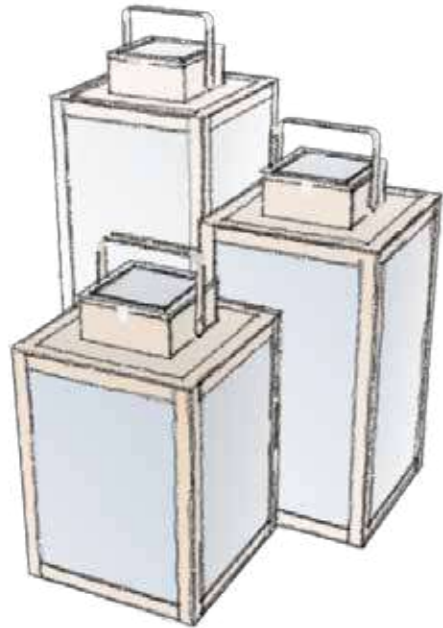
KYBSUN (KYB 010)

- 500 LUMENS
- 10 LED
- 3000° K. / warm white
- power : 3W
- adjustable intensity
- IP 65 waterproof
- recharge : solar or sector
- autonomy : from 5 H. to 200 H.



lanterns game

Solar lantern LAS 400/500/600



· use :
lanterns, terraces decoration, patios, lawns, ...

- presence detector
- epoxy paint finishing
- steel structure 15/10° mm
- satin Acryl or 3 mm glass on demand
- dimensions : - LAS 400 // 245 x 245 x 395 mm
- LAS 500 // 245 x 245 x 495 mm
- LAS 600 // 245 x 245 x 595 mm



Ivory

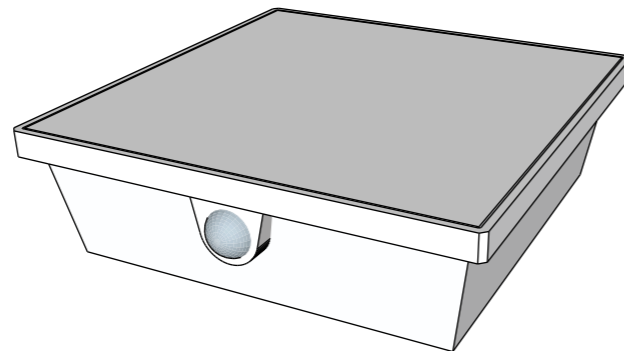
Charcoal grey
(RAL 7021)

Corten rust

SOLAR BLOCK

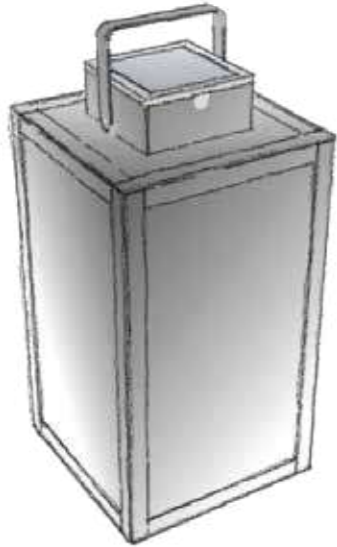
KYBSUN (KYB 010)

- 500 LUMENS
- 10 LED
- 3000° K. / warm white
- power : 3W
- adjustable intensity
- IP 65 waterproof
- recharge : solar or sector
- autonomy : from 5 H. to 200 H.



intense Black and warm White

Solar lantern LAS noire

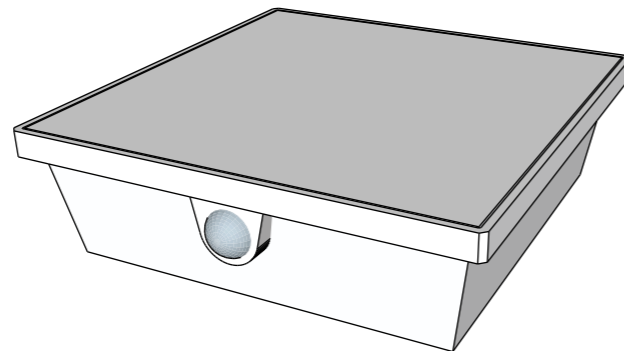


· use :
lanterns, terraces decoration, patios, lawns, ...

- presence detector
- epoxy paint finishing
- steel structure 15/10° mm
- Acryl satin or glass on demand
- dimensions : 245 x 245 x 495 mm

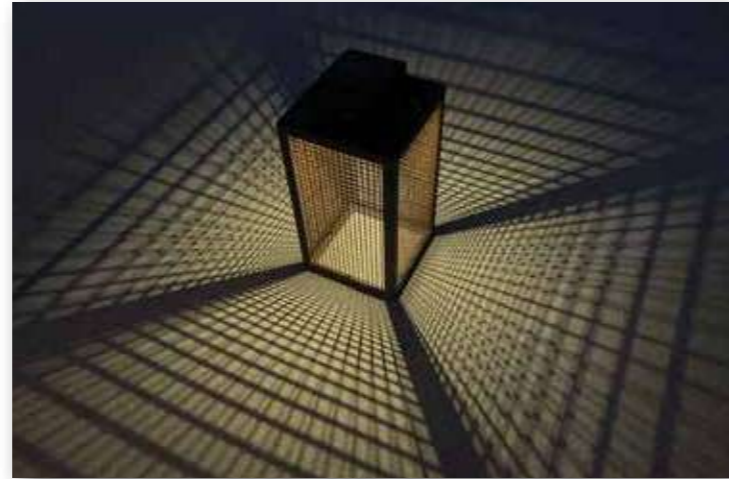
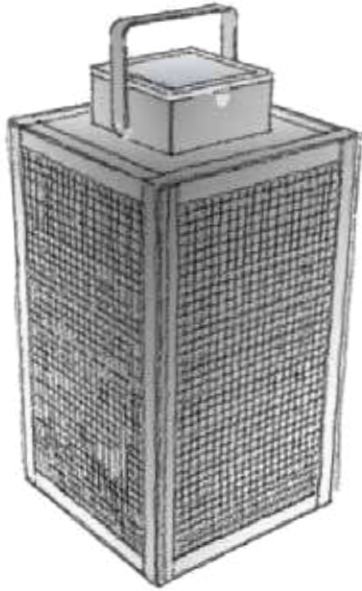


- SOLAR BLOCK
KYBSUN (KYB 010)
- 500 LUMENS
 - 10 LED
 - 3000° K. / warm white
 - power : 3W
 - adjustable intensity
 - IP 65 waterproof
 - recharge : solar or sector
 - autonomy : from 5 H. to 200 H.



... drop shadows

Solar lantern LAS 500 frame



· use :
lanterns, terraces decoration, patios, lawns, ...

- presence detector
- epoxy paint finishing
- steel structure
- dimensions : 245 x 245 x 495 mm

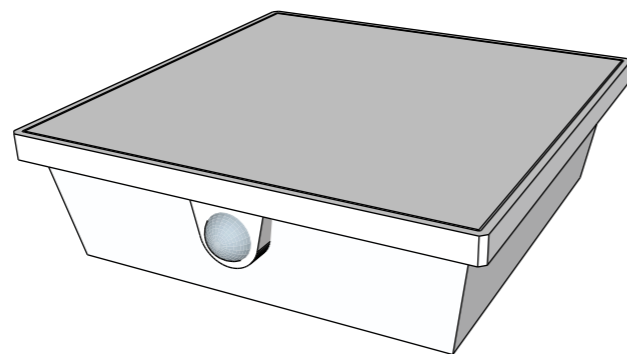


Ivory

Charcoal grey
(RAL 7021)

Corten rust

- SOLAR BLOCK
KYBSUN (KYB 010)
- 500 LUMENS
 - 10 LED
 - 3000° K. / warm white
 - power : 3W
 - adjustable intensity
 - IP 65 waterproof
 - recharge : solar or sector
 - autonomy : from 5 H. to 200 H.



XL spirit

Solar lantern LAS 900



· use :
lanterns, terraces decoration, patios, lawns, ...

- presence detector
- epoxy paint finishing
- steel structure 15/10° mm
- Acryl satin or glass on demand
- dimensions : 245 x 245 x 895 mm



Ivory

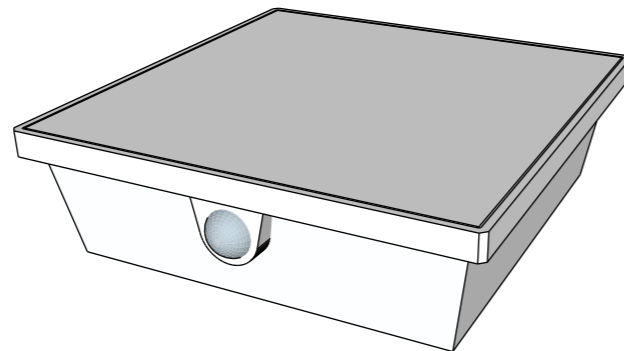
Charcoal grey
(RAL 7021)

Corten rust

SOLAR BLOCK

KYBSUN (KYB 010)

- 500 LUMENS
- 10 LED
- 3000° K. / warm white
- power : 3W
- adjustable intensity
- IP 65 waterproof
- recharge : solar or sector
- autonomy : from 5 H. to 200 H.



XL spirit

Solar lantern LAS 900 FRAME

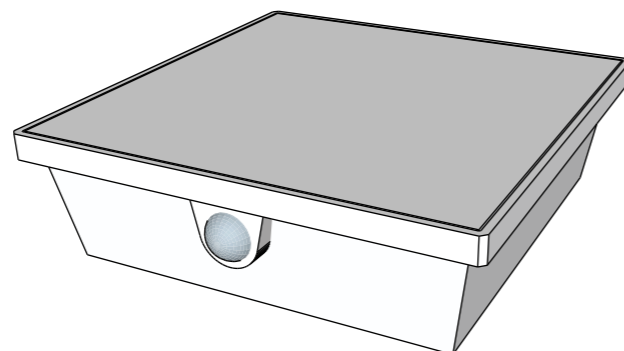


· use :
lanterns, terraces decoration, patios, lawns, ...

- presence detector
- epoxy paint finishing
- steel structure 15/10° mm
- Acryl satin or glass on demand
- dimensions : 245 x 245 x 895 mm



- SOLAR BLOCK
KYBSUN (KYB 010)
- 500 LUMENS
 - 10 LED
 - 3000° K. / warm white
 - power : 3W
 - adjustable intensity
 - IP 65 waterproof
 - recharge : solar or sector
 - autonomy : from 5 H. to 200 H.



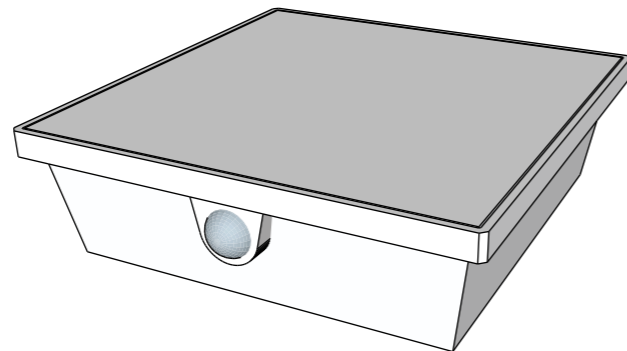
shadow and light
RING



- use :
lighting an entrance, a terrace, a balcony, ...
- presence detector
- sundial by day
- epoxy paint finishing
- dimensions : 500 x 250 x 125 mm

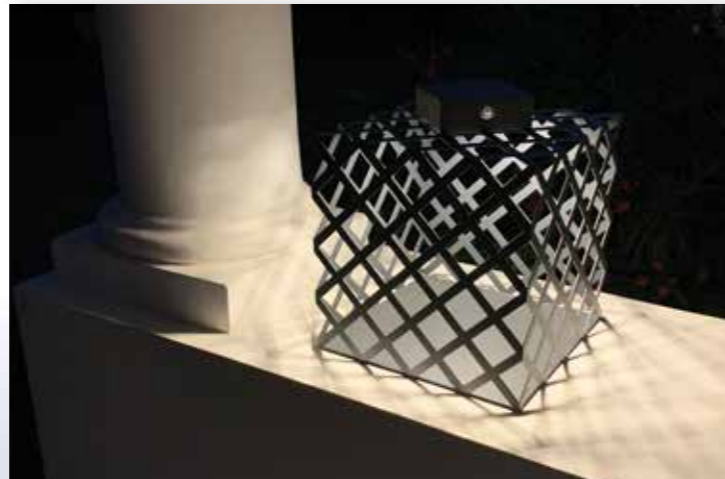
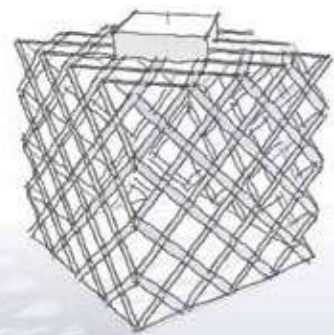


- SOLAR BLOCK
KYBSUN (KYB 010)
- 500 LUMENS
 - 10 LED
 - 3000° K. / warm white
 - power : 3W
 - adjustable intensity
 - IP 65 waterproof
 - recharge : solar or sector
 - autonomy : from 5 H. to 200 H.



day shadow, night shadow

1'X



Ivory

Charcoal grey
(RAL 7021)

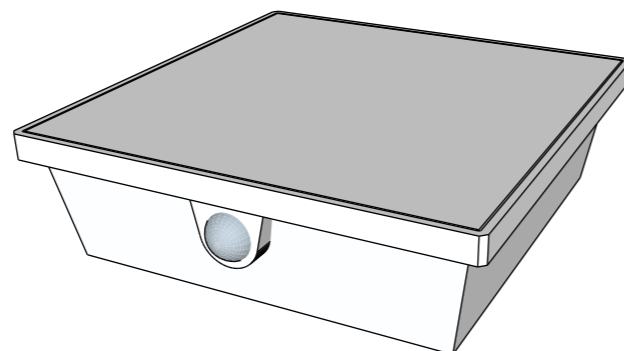
Corten rust

- use :
lighting entrance, terrace, balcony, ...
- presence detector
- epoxy paint finishing
- dimensions : 300 x 300 x 340 mm

SOLAR BLOCK

KYBSUN (KYB 010)

- 500 LUMENS
- 10 LED
- 3000° K. / warm white
- power : 3W
- adjustable intensity
- IP 65 waterproof
- recharge : solar or sector
- autonomy : from 5 H. to 200 H.



Y de LYX

Collection

(solar)

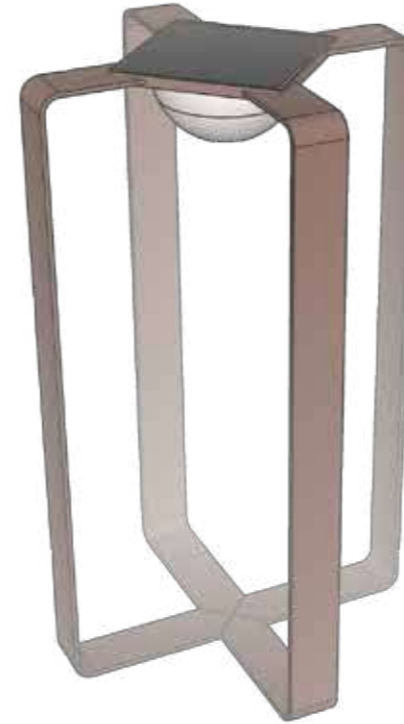


Y de LYX

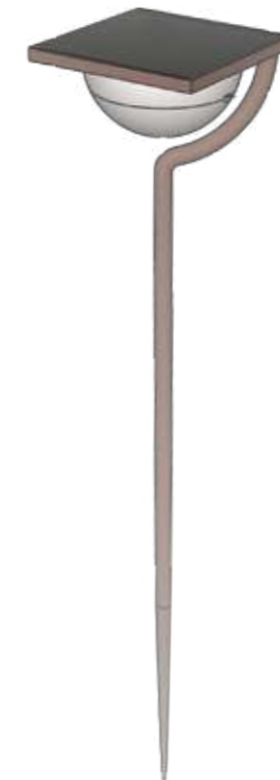
SOLAR WALL LAMPS



SOLAR LANTERN



SOLAR PATHWAY LIGHTS



white to amber ...

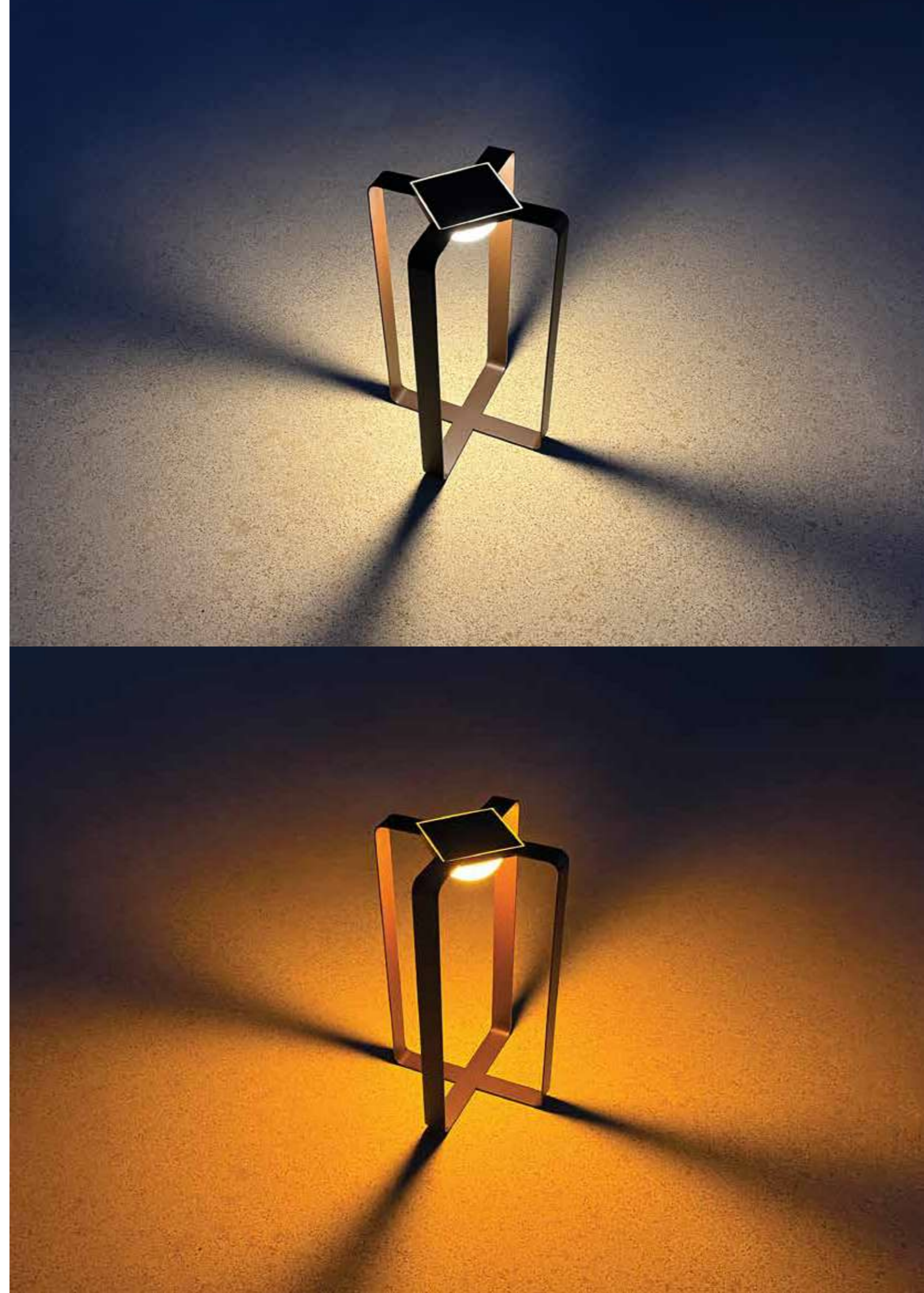
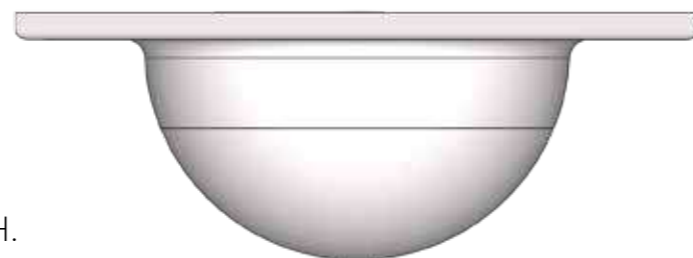
Solar lantern XY



- use :
XY diffuses 2 types of lights on demand
from warm white to amber light
at different intensities.
- motion detector
- steel structure
- epoxy paint finishing
- dimensions : 235 x 235 x 505 mm

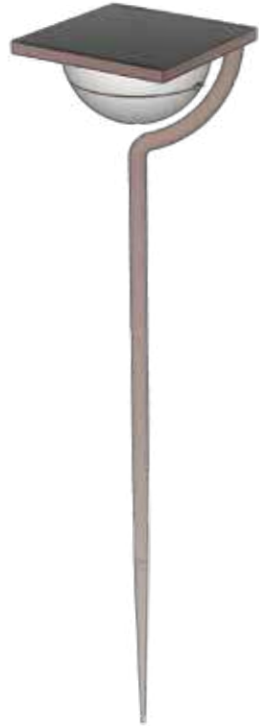
SOLAR BLOC Y DE LYX

- 500 LUMENS
- 1800° K. / warm white
ou 2700 ° K. / amber
- 6 setting options
- IP 67 waterproof
- recharge : solar or sector
- autonomy : from 5 H. to 200 H.



warm white to amber light ...

Solar pathway light TEEXY



Ivory

Charcoal grey
(RAL 7021)

Corten rust

- use :
XY diffuses 2 types of lights on demand from warm white to amber light at different intensities.
- motion detector
- steel structure
- epoxy paint finishing
- dimensions : 130 x 130 x 720 mm

SOLAR BLOC Y DE LYX

- 500 LUMENS
- 1800° K. / warm white
ou 2700 ° K. / amber
- 6 setting options
- IP 67 wterproof
- recharge : solar or sector
- autonomy : from 5 H. to 200 H.



shiny sides
Solar pathway light Y72



Ivory

Charcoal grey
(RAL 7021)

Corten rust

- use :
Free-standing lamp. No constraints,
To be placed on one of its 5 sides to orient
the luminous flux according to the ambiances.
Warm white or amber lighting.
- motion detector
- steel structure
- epoxy paint finishing
- dimensions : 205 x 200 x 130 mm

SOLAR BLOC Y DE LYX

- 500 LUMENS
- 1800° K. / warm white
ou 2700 ° K. / amber
- 6 setting options
- IP 67 wterproof
- recharge : solar or sector
- autonomy : from 5 H. to 200 H.



solar state

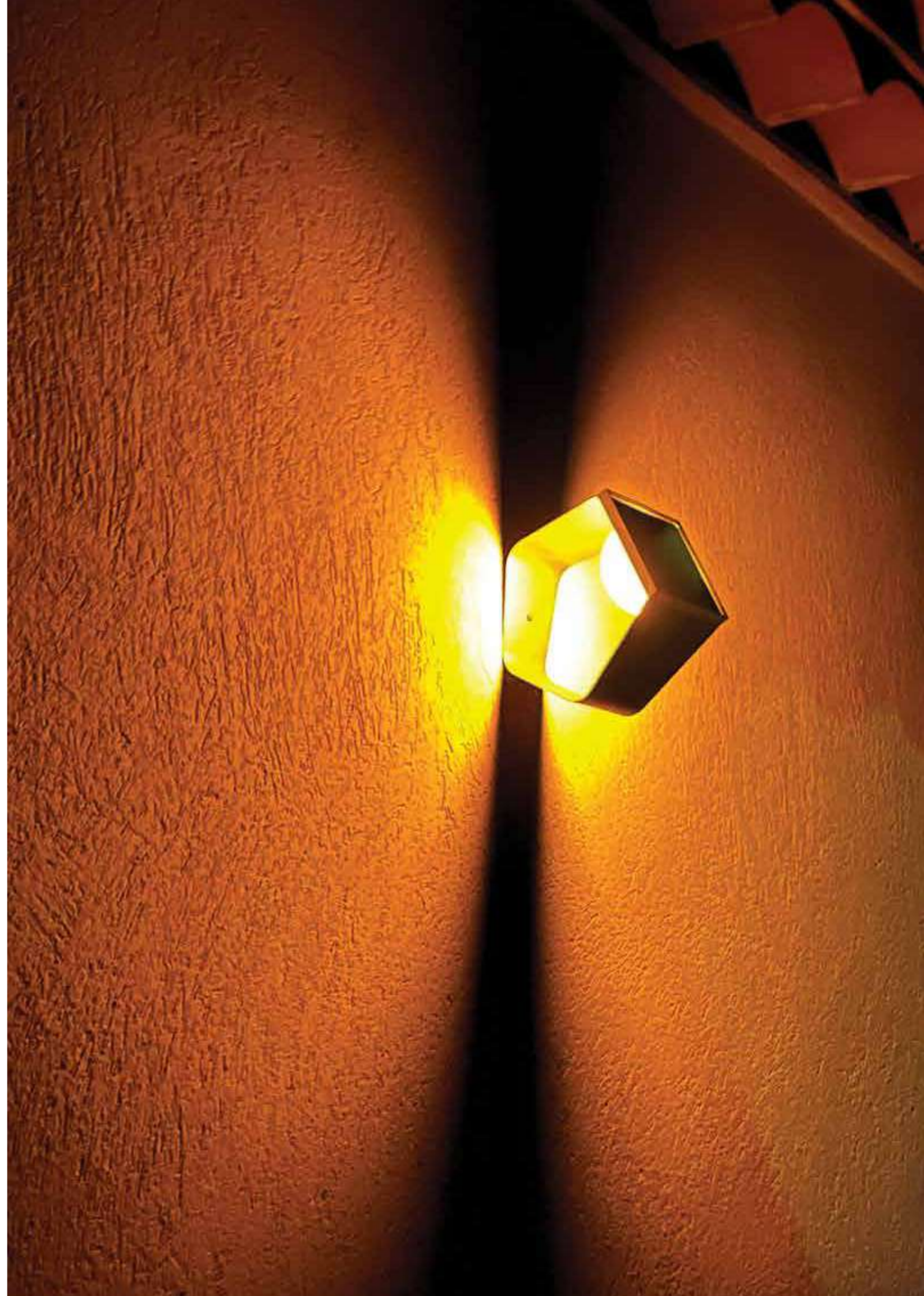
Solar wall lamp Y72



- use :
Wall light,
luminous wings dance on the facades.
Warm white or amber lighting.
- motion detector
- steel structure
- epoxy paint finishing
- dimensions : 205 x 200 x 130 mm

SOLAR BLOC Y DE LYX

- 500 LUMENS
- 1800° K. / warm white
ou 2700 ° K. / amber
- 6 setting options
- IP 67 wterproof
- recharge : solar or sector
- autonomy : from 5 H. to 200 H.



verticality
Solar wall lamp VERTY



Ivory

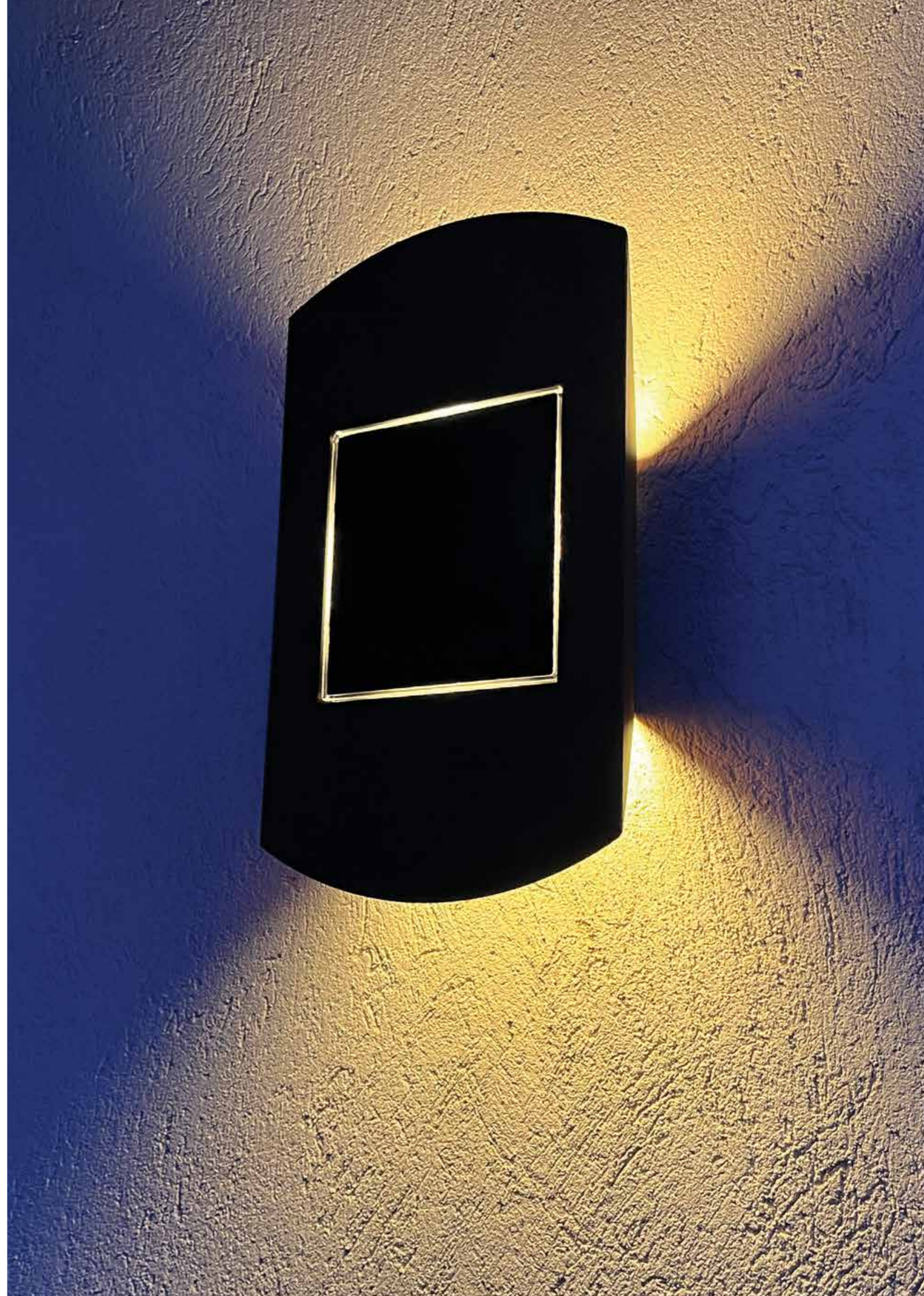
Charcoal grey
(RAL 7021)

Corten rust

- use :
Wall light. vertical lighting
particularly suitable for lighting
of pillars.
Warm white or amber lighting.
- motion detector
- steel structure
- epoxy paint finishing
- dimensions : 180 x 100 x 300 mm

SOLAR BLOC Y DE LYX

- 500 LUMENS
- 1800° K. / warm white
ou 2700 ° K. / amber
- 6 setting options
- IP 67 wterproof
- recharge : solar or sector
- autonomy : from 5 H. to 200 H.



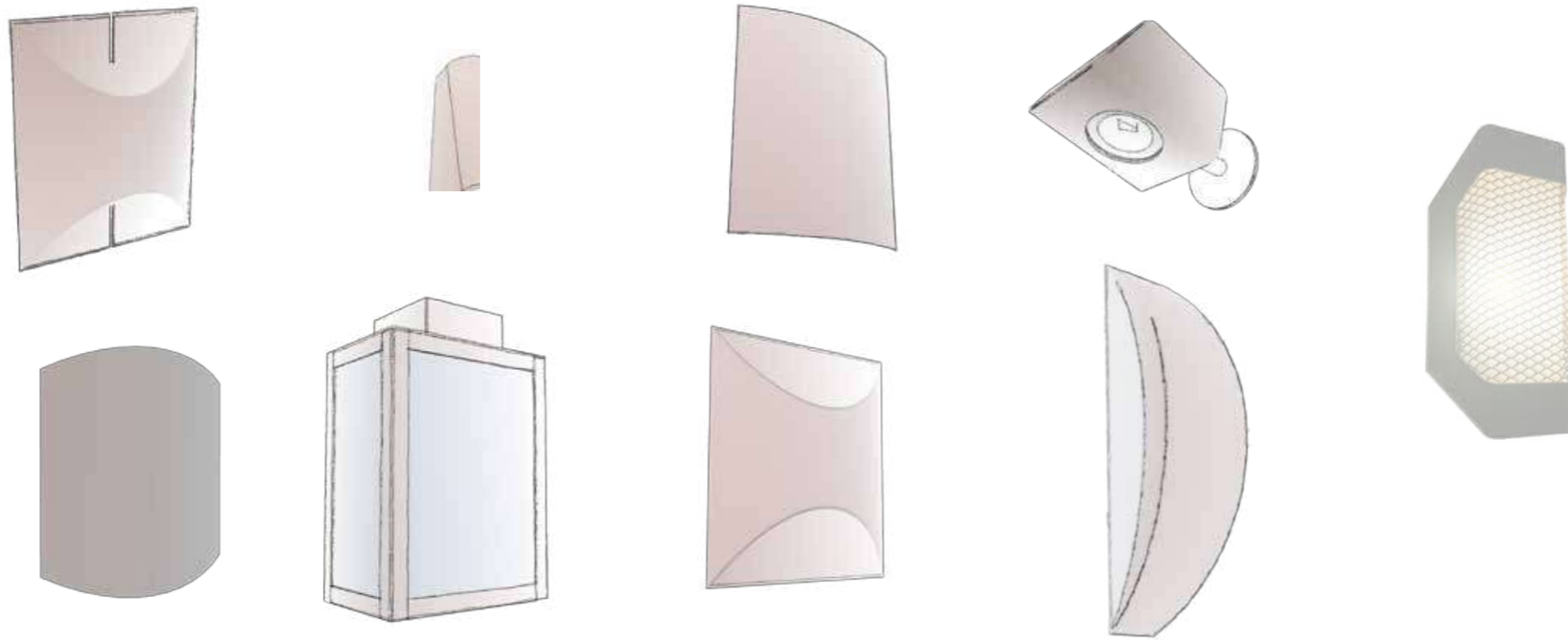
Low consumption

LED

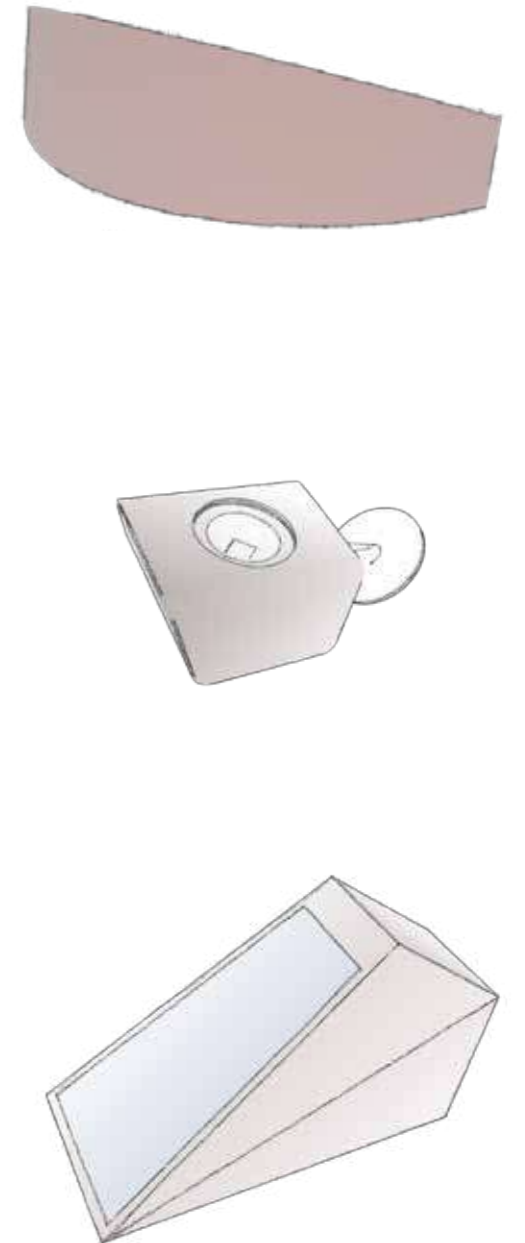
collection



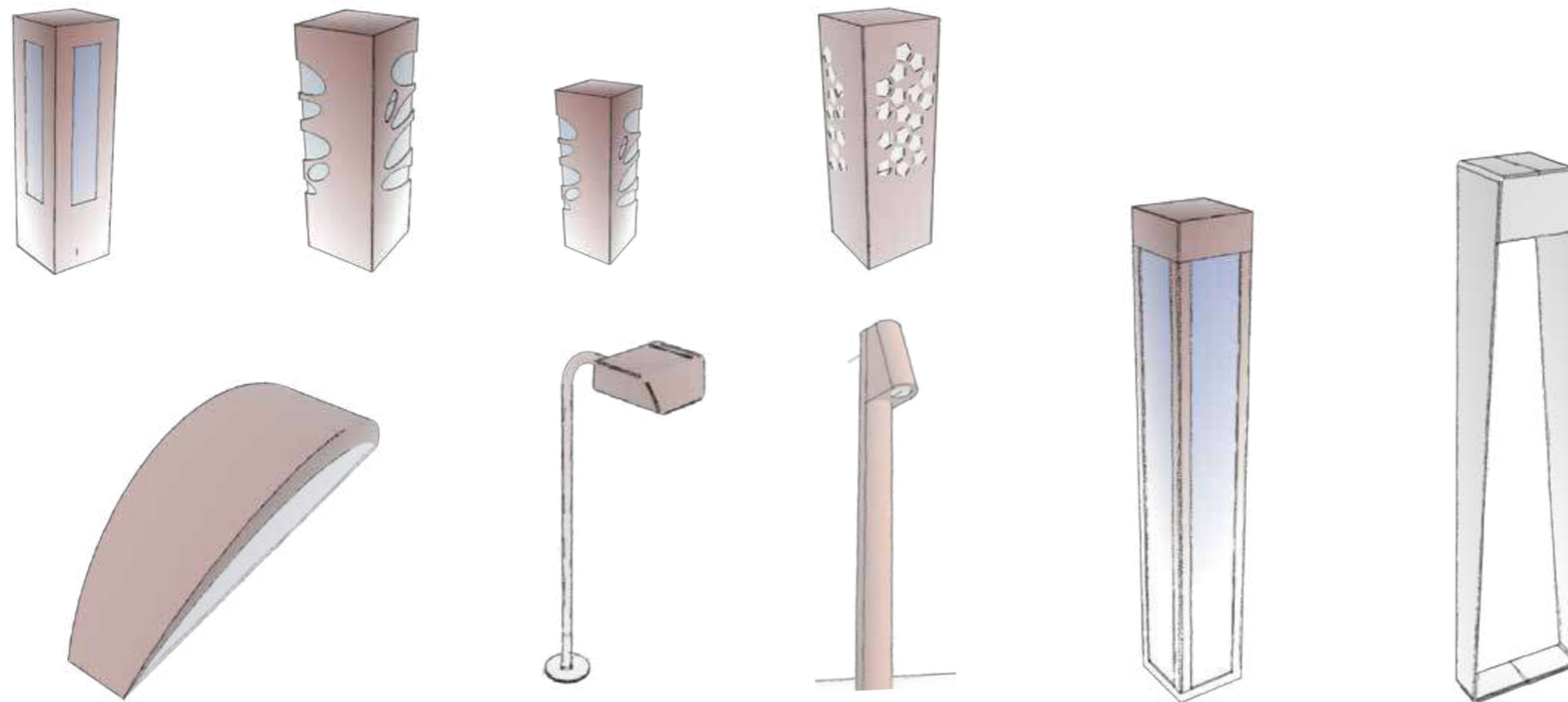
WALL LAMPS



SPOTS



PATHWAY LIGHTS



12W LED

HEXY

Wall lamp



Ivory

Charcoal grey
(RAL 7021)

Corten rust

- use :
highlight a wall, a pillar, ...
can also be used as a ceiling light

- steel structure
- polycarbonate diffuser
- epoxy paint finishing
- dimensions : 245 x 120 x 80 mm

- SOURCE :
- LED PROJECTOR
- 1300 Lumens
 - waterproof IP65
 - ik08 impact resistance
 - 220 V
 - 12 W LED
 - 2400° / 3000° K.

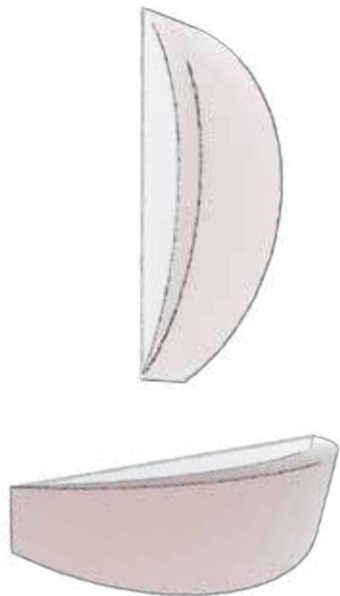


www.LYX-luminaire.com



moon shape

Wall lamp Trait de lune



2 possible positions



- use :
highlight a wall, a pillar, ...
- steel structure, polyzinc treatment
- diffusing ACRYL satin
- epoxy paint finishing
- dimensions : 450 x 125 x 140 mm



Ivory

Charcoal grey
(RAL 7021)

Corten rust

SOURCE :
1000 LUMENS LED PROJECTOR

- 1000 Lumens
- injected aluminum
- IP65 / IK09
- 230 V
- 10 W LED
- 3000° K / warm white



precise, subtle, incisive lighting ...

Wall lamp AP 05



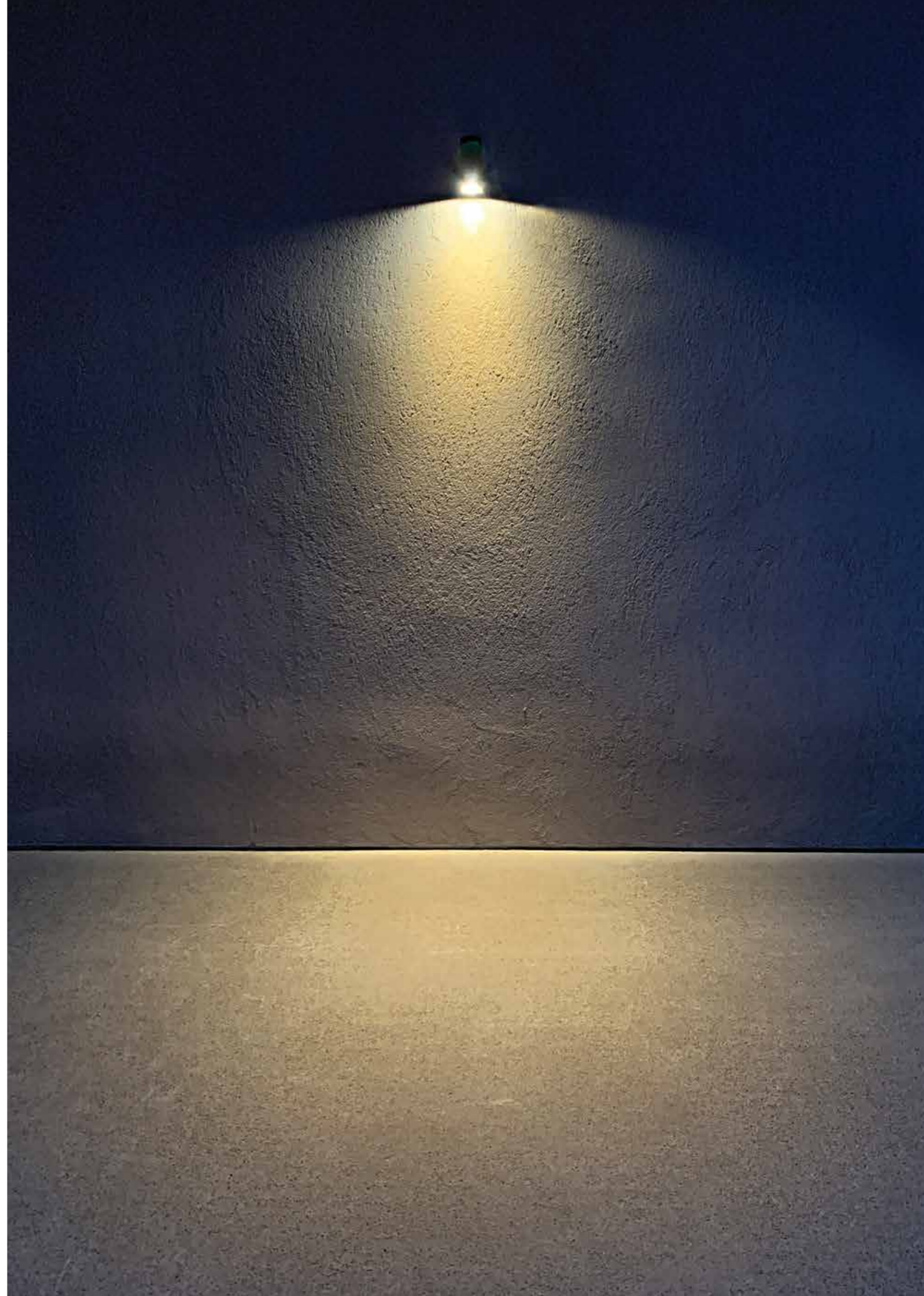
- use :
A compact light source which integrates discreetly to all architectural universes.
- steel structure
- epoxy paint finishing
- dimensions : 50 x 70 x 120 mm



SOURCE :

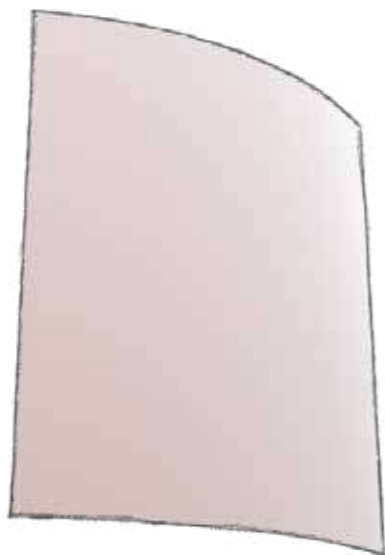
250 LUMENS LED PROJECTOR

- 250 Lumens
- injected aluminum
- IP67 / IK04
- 220-240 V
- 4 W LED
- 3000° K / warm white



curved, classic, timeless

Wall lamp AP 010



- use :
highlight a wall, a pillar, ...
- steel structure
- epoxy paint finishing
- dimensions : 240 x 120 x 280 mm
- spot settings : above / below / both

SOURCE :
LED PROJECTOR ARIC
2 variants available :

- injected aluminium
- IP65 / IK09
- 230 V
- 12 W LED

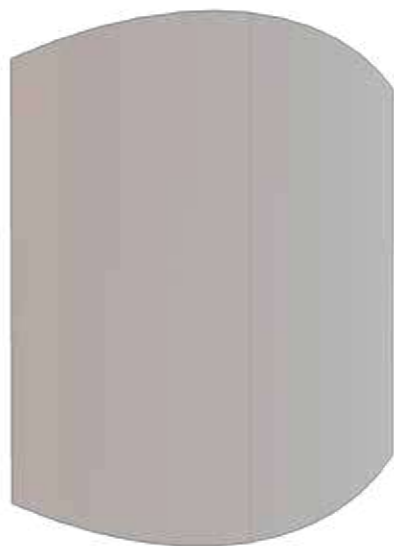
2400° K.
1223 Lumens

3000° K.
1450 Lumens



smooth it out

Wall lamp AP 012



- use :
highlight a wall, a pillar, ...
- steel structure
- epoxy paint finishing
- dimensions : 240 x 120 x 280 mm
- spot settings : above / below / both

SOURCE :
LED PROJECTOR ARIC
2 variants available :

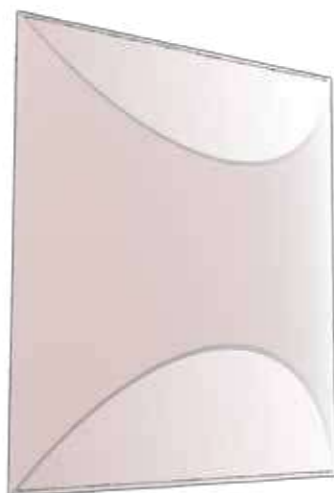
- injected aluminium
- IP65 / IK09
- 230 V
- 12 W LED

2400° K.
1223 Lumens

3000° K.
1450 Lumens



symmetrical curves
Wall lamp AP 015



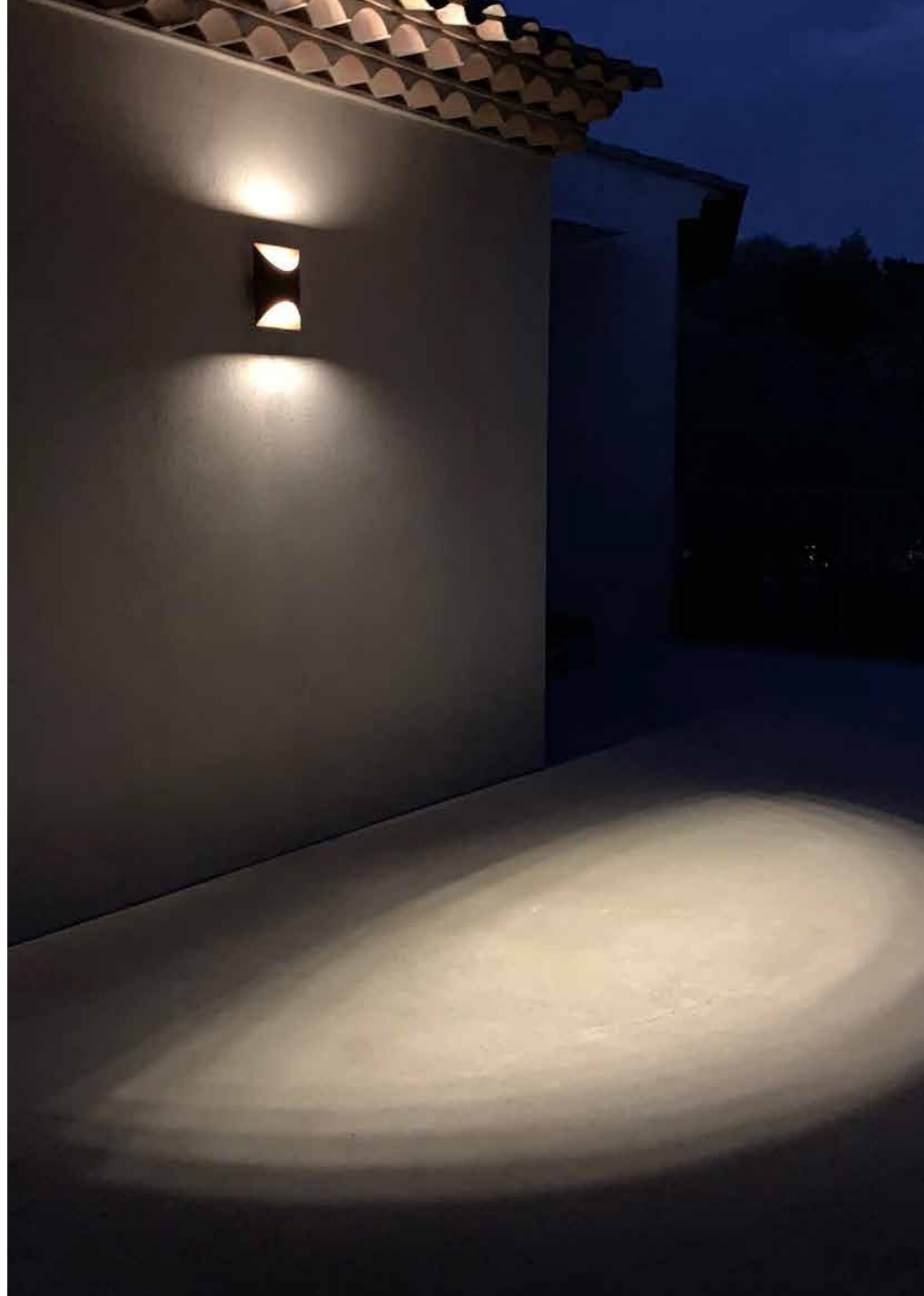
- use :
highlight a wall, a pillar, ...
- steel structure
- epoxy paint finishing
- dimensions : 240 x 100 x 280 mm
- The center of the wall lamp
can be personalized with a luminous marking.

SOURCE :
LED PROJECTOR ARIC
2 variants available :

- injected aluminium
- IP65 / IK09
- 230 V
- 12 W LED

2400° K.
1223 Lumens

3000° K.
1450 Lumens



luminous groove
Wall lamp AP 015



- use :
highlight a wall, a pillar, ...
- steel structure
- epoxy paint finishing
- dimensions : 240 x 100 x 280 mm
- The center of the wall lamp
can be personalized with a luminous marking.

SOURCE :
LED PROJECTOR ARIC
2 variants available :

- injected aluminium
- IP65 / IK09
- 230 V
- 12 W LED

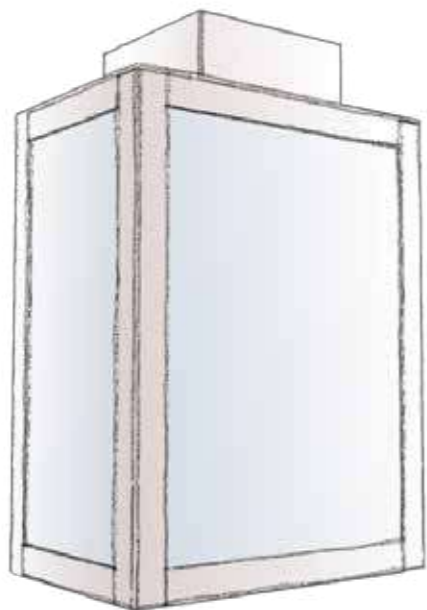
2400° K.
1223 Lumens

3000° K.
1450 Lumens



classic lantern

Wall lamp AP 030

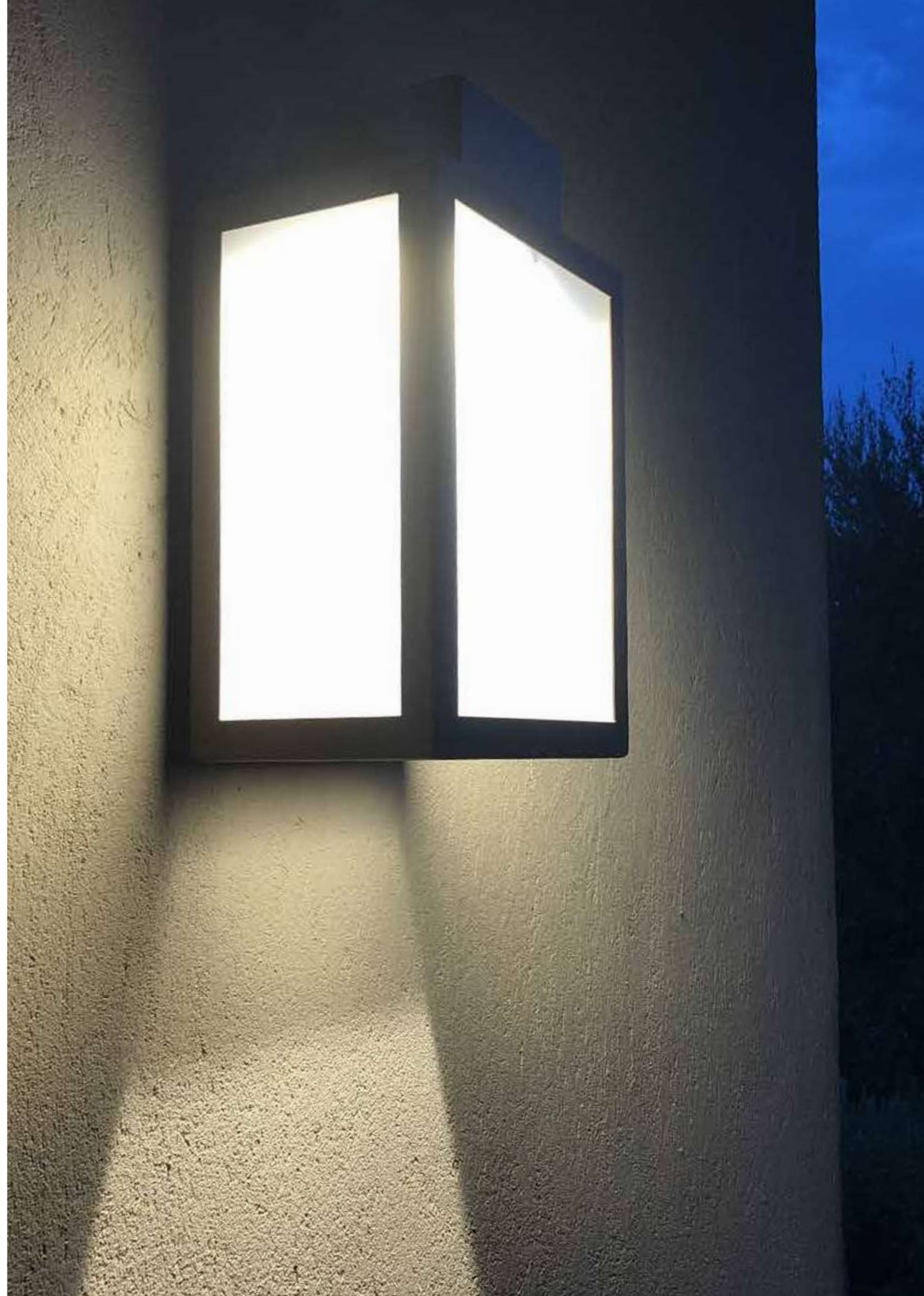


- use :
entrance lighting, terrace, balcony, ...
- steel structure 15/10°
- satin Acryl or 3 mm glass on demand
- epoxy paint finishing
- dimensions : 245 x 165 x 380 mm



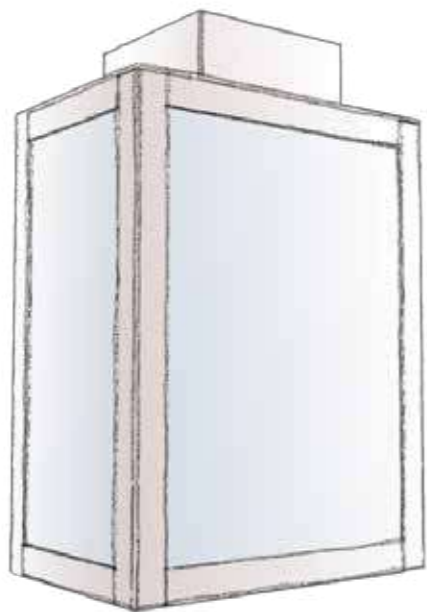
SOURCE :
1000 LUMENS LED PROJECTOR

- 1000 Lumens
- injected aluminum
- IP65 / IK09
- 230 V
- 10 W LED
- 3000° K / warm white



rectilinear mesh

Wall lamp AP 030 FRAME



- use :
entrance lighting, terrace, balcony, ...
- steel structure 15/10°
- satin Acryl or 3 mm glass on demand
- epoxy paint finishing
- dimensions : 245 x 165 x 380 mm



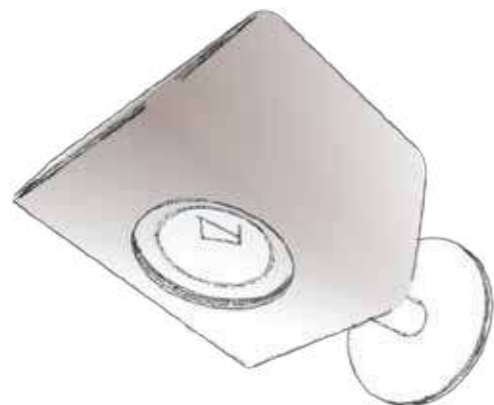
SOURCE :
1000 LUMENS LED PROJECTOR

- 1000 Lumens
- injected aluminum
- IP65 / IK09
- 230 V
- 10 W LED
- 3000° K / warm white



compact

Wall lamp KOKON



- use :
highlight a wall, a terrace
- steel structure
- epoxy paint finishing
- dimensions : 220 x 145 x 76 mm



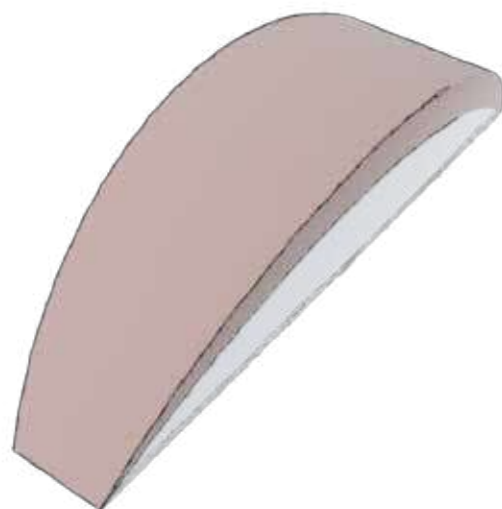
SOURCE :
1000 LUMENS LED PROJECTOR

- 1000 Lumens
- injected aluminum
- IP65 / IK09
- 230 V
- 10 W LED
- 3000° K / warm white



moon shape

Pathway light Trait de lune



- use :
markup a path, a lawn, massifs, ...
- steel structure, polyzinc treatment
- diffusing ACRYL satin
- epoxy paint finishing
- dimensions : 450 x 125 x 140 mm

SOURCE :
1000 LUMENS LED PROJECTOR

- 1000 Lumens
- injected aluminum
- IP65 / IK09
- 230 V
- 10 W LED
- 3000° K / warm white



precise, subtle, incisive lighting, ...

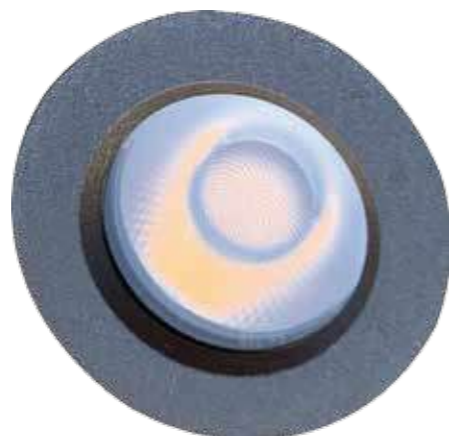
Pathway light BN 05



- use :
A discreet light that punctuates a path.
- pole to be planted or screwed
- steel structure
- epoxy paint finishing
- dimensions : 50 x 70 x 600 mm

SOURCE :
250 LUMENS LED PROJECTOR

- 250 Lumens
- injected aluminium
- IP67 / IK04
- 220-240 V
- 4 W LED
- 3000° K / warm white



architectural echo

Pathway light BN 010



- use :
markup a path, a lawn, massifs, ...
- vertical band pattern
- steel structure / polycarbonate diffuser
- epoxy paint finishing
- dimensions : 140 x 140 x 490 mm



SOURCE :
LED PROJECTOR ARIC
2 variants available :

- injected aluminium
- IP65 / IK09
- 230 V
- 12 W LED

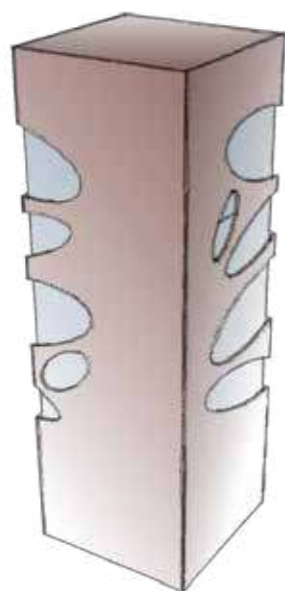
2400° K.
1223 Lumens

3000° K.
1450 Lumens



nested curves

Pathway light BN 011



Ivory

Charcoal grey
(RAL 7021)

Corten rust

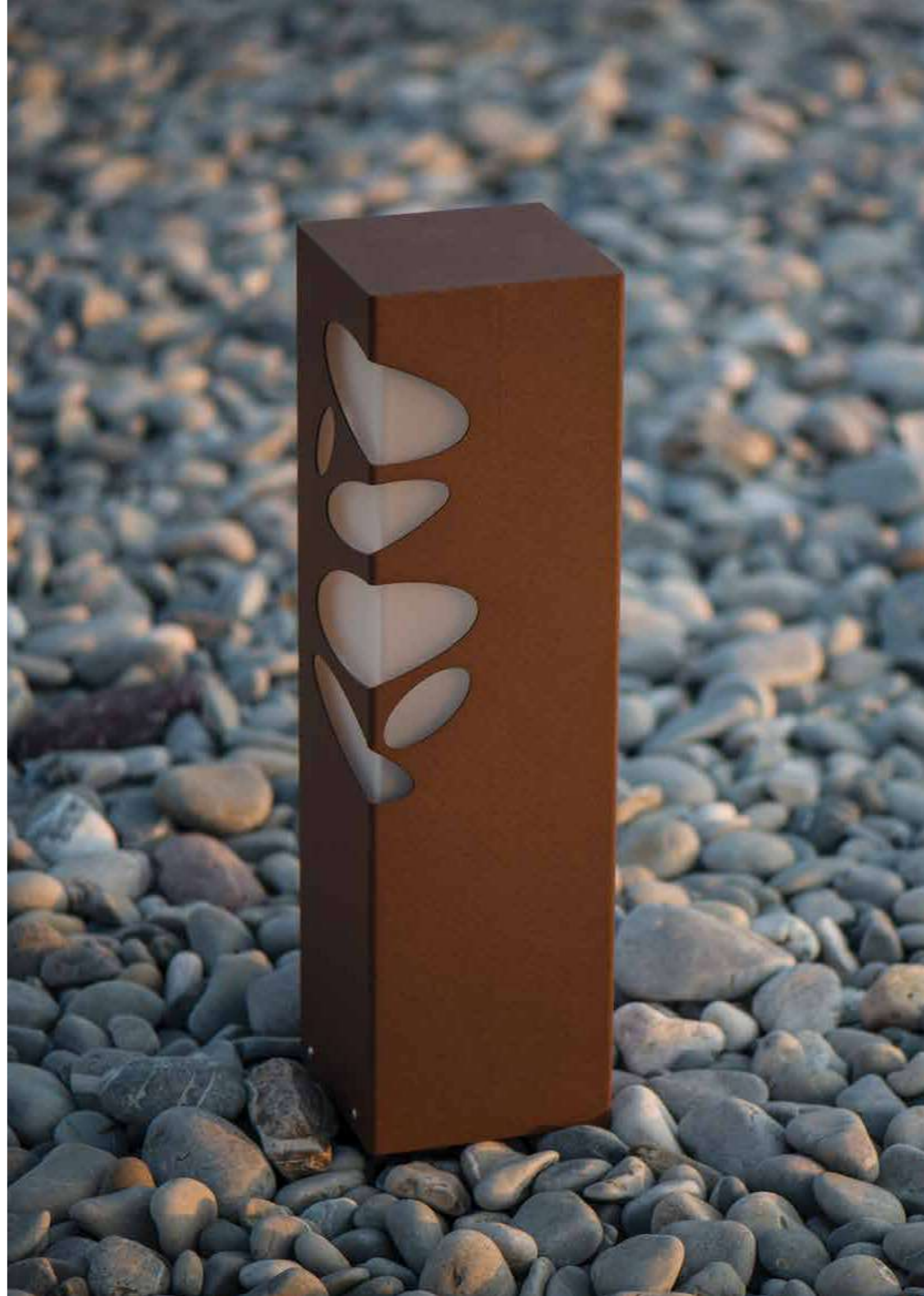
- use :
markup a path, a lawn, massifs, ...
- pebble pattern
- steel structure / polycarbonate diffuser
- epoxy paint finishing
- dimensions : 140 x 140 x 490 mm

SOURCE :
LED PROJECTOR ARIC
2 variants available :

- injected aluminium
- IP65 / IK09
- 230 V
- 12 W LED

2400° K.
1223 Lumens

3000° K.
1450 Lumens



pebble of light

Pathway light BN 011 mini



Ivory

Charcoal grey
(RAL 7021)

Corten rust

- use :
markup a path, a lawn, massifs, ...
- pebble pattern
- steel structure / polycarbonate diffuser
- epoxy paint finishing
- dimensions : 110 x 110 x 360 mm

SOURCE :
LED PROJECTOR ARIC
2 variants available :

- injected aluminium
- IP65 / IK09
- 230 V
- 12 W LED

2400° K.
1223 Lumens

3000° K.
1450 Lumens



play of pentagone
Pathway light BN 014



- use :
markup a path, a lawn, massifs, ...
- pentagon pattern
- steel structure / polycarbonate diffuser
- epoxy paint finishing
- dimensions : 140 x 140 x 490 mm

SOURCE :
LED PROJECTOR ARIC
2 variants available :

- injected aluminium
- IP65 / IK09
- 230 V
- 12 W LED

2400° K.
1223 Lumens

3000° K.
1450 Lumens



verticality

Pathway light BN 080



- use :
markup a path, a car park, ...
- vertical band pattern
- steel structure / polycarbonate diffuser
- epoxy paint finishing
- dimensions : 140 x 140 x 800 mm



Ivory

Charcoal grey
(RAL 7021)

Corten rust

SOURCE :
LED PROJECTOR ARIC
2 variants available :

- injected aluminium
- IP65 / IK09
- 230 V
- 12 W LED

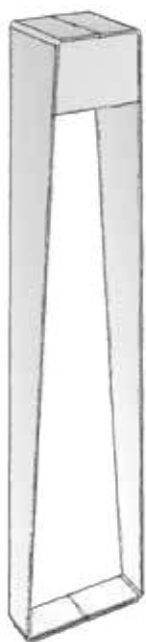
2400° K.
1223 Lumens

3000° K.
1450 Lumens



trapeze and light

Pathway light BNL 900



- use :
markup a path, a car park, ...
- steel structure 4 mm
- polyzinc treatment
- epoxy paint finishing
- dimensions : 125 x 185 x 900 mm



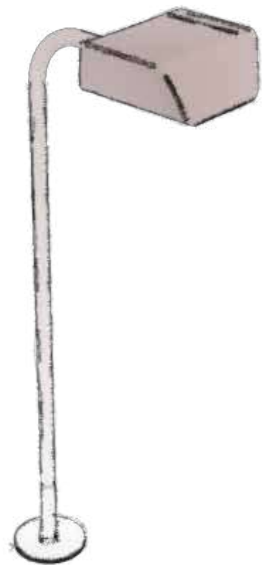
SOURCE :
1000 LUMENS LED PROJECTOR

- 1000 Lumens
- injected aluminum
- IP65 / IK09
- 230 V
- 10 W LED
- 3000° K / warm white



candelabra effect

Pathway light KOKON



- use :
highlight a path, a garden, ...
- steel structure / polycarbonate diffuser
- epoxy paint finishing
- dimensions : 125 x 250 x 580 mm

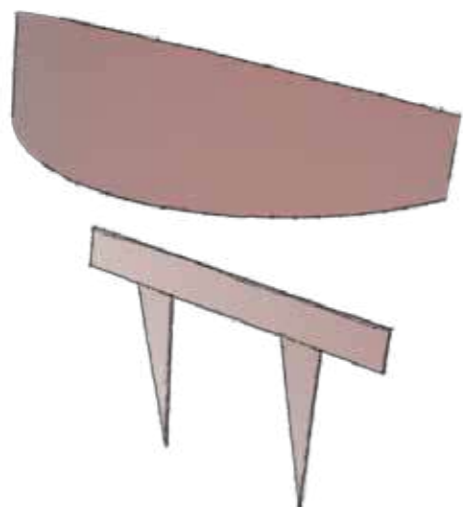


SOURCE :
1000 LUMENS LED PROJECTOR

- 1000 Lumens
- injected aluminum
- IP65 / IK09
- 230 V
- 10 W LED
- 3000° K / warm white



moon shape
Spotlight Trait de lune



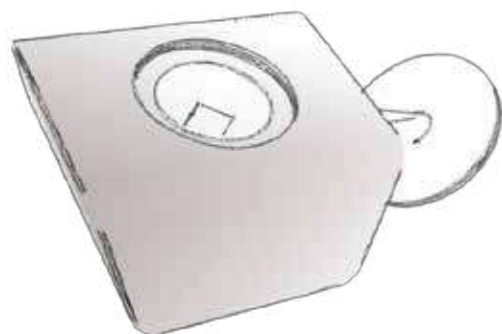
- use :
lighting of trees, plants, facades, pillars
- steel structure, polyzinc treatment
- diffusing ACRYL satin
- epoxy paint finishing
- dimensions : 450 x 125 x 140 mm

SOURCE :
1000 LUMENS LED PROJECTOR

- 1000 Lumens
- injected aluminum
- IP65 / IK09
- 230 V
- 10 W LED
- 3000° K / warm white



upside / upside down
Spotlight KOKON



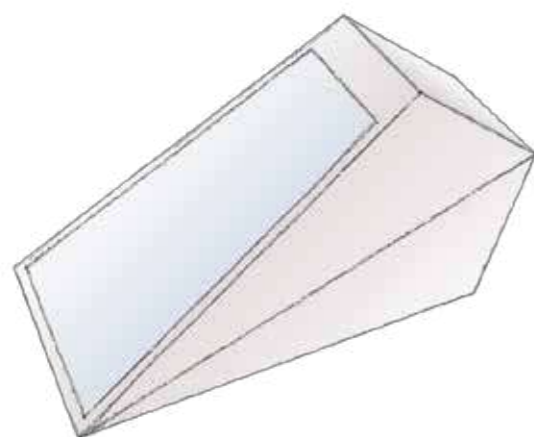
- use :
lighting of trees, plants, facades, pillars
- steel structure, polyzinc treatment
- epoxy paint finishing
- dimensions : 185 x 125 x 76 mm

SOURCE :
1000 LUMENS LED PROJECTOR

- 1000 Lumens
- injected aluminum
- IP65 / IK09
- 230 V
- 10 W LED
- 3000° K / warm white



at ground level
Spotlight SP 025



Ivory

Charcoal grey
(RAL 7021)

Corten rust

- use :
lighting of trees, plants, facades, pillars
- steel structure acier
- epoxy paint finishing
- dimensions : 205 x 205 x 365 mm

SOURCE :
LED PROJECTOR ARIC
2 variants available :

- injected aluminium
- IP65 / IK09
- 230 V
- 12 W LED

2400° K.
1223 Lumens

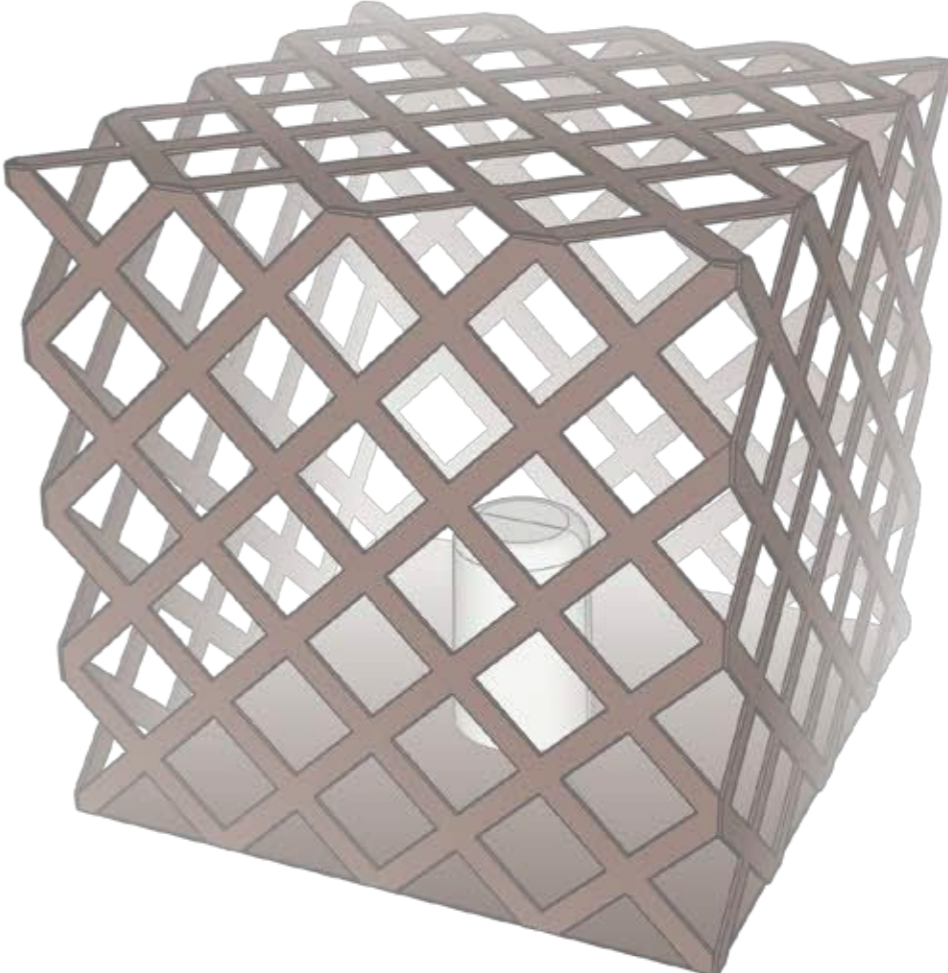
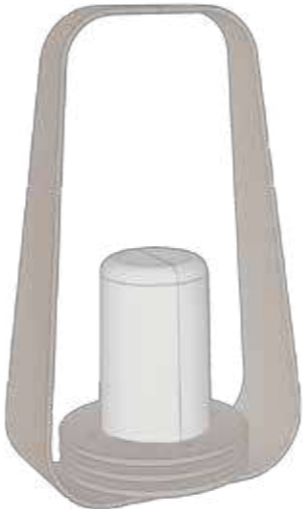
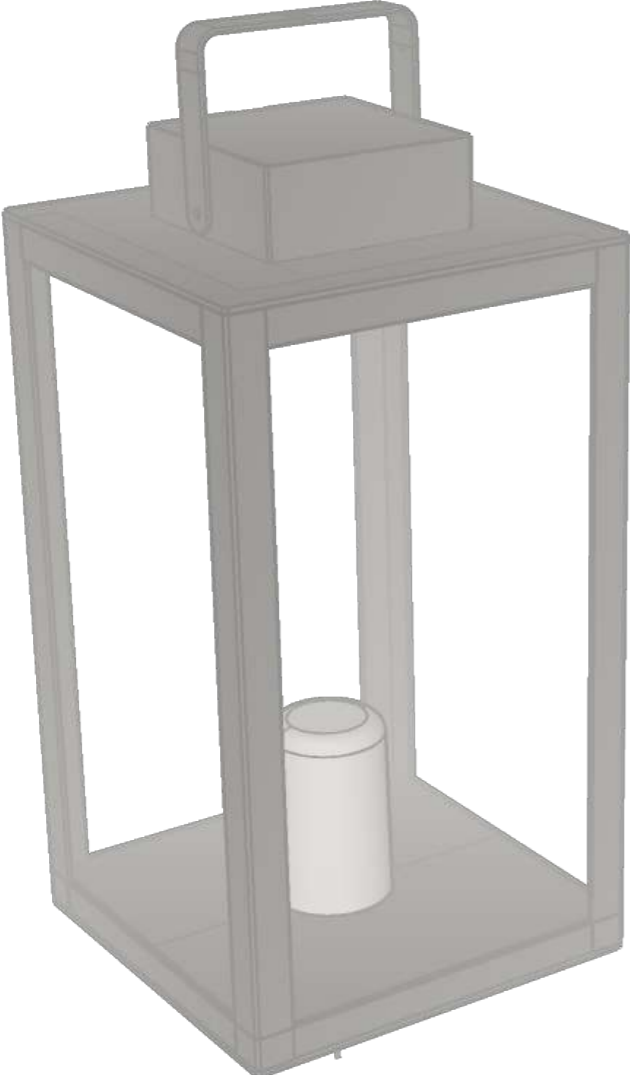
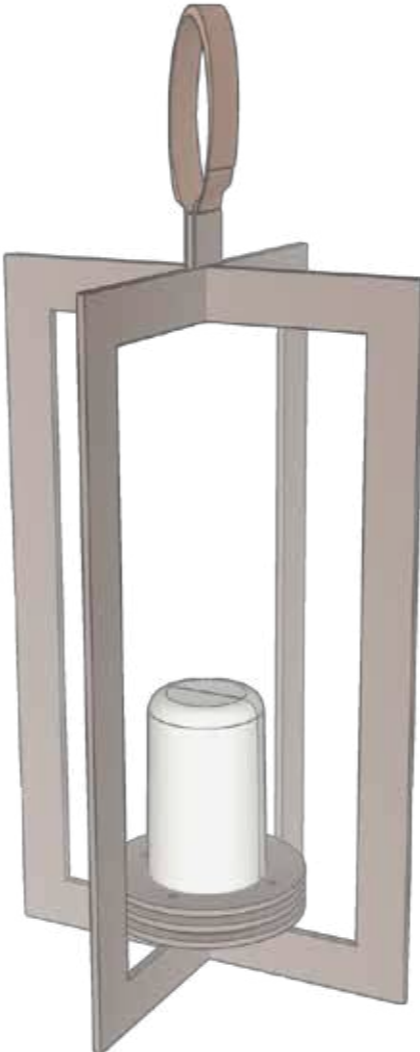
3000° K.
1450 Lumens



*Autonomous
Collection*



AUTONOMOUS LANTERNS



autonomous table lamp

Plein cintre



- use :
lighting entrance, terrace, balcony, ...
- epoxy paint finishing
- dimensions : 120 x 120 x 190 mm



Ivory

Charcoal grey
(RAL 7021)

Corten rust

RECHARGEABLE / AUTONOMOUS LED LAMP

- 300 LUMENS
- 2700° K.
- 3 powers : 1W / 3W / 5W
- dimmable
- waterproof IP 54
- sector recharge
- autonomy : from 5H. to 25H.



day shadow, night shadow
Autonomous lantern l'X



Ivory

Charcoal grey
(RAL 7021)

Corten rust

- use :
lighting entrance, terrace, balcony, ...
- epoxy paint finishing
- dimensions : 300 x 300 x 300 mm

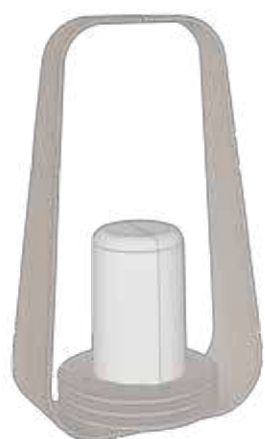
RECHARGEABLE / AUTONOMOUS LED LAMP

- 300 LUMENS
- 2700° K.
- 3 powers : 1W / 3W / 5W
- dimmable
- waterproof IP 54
- sector recharge
- autonomy : from 5H. to 25H.



light bringer

Autonomous lantern Boucle



- use :
lighting entrance, terrace, balcony, ...
- epoxy paint finishing
- dimensions : 180 x 120 x 300 mm



Ivory

Charcoal grey
(RAL 7021)

Corten rust

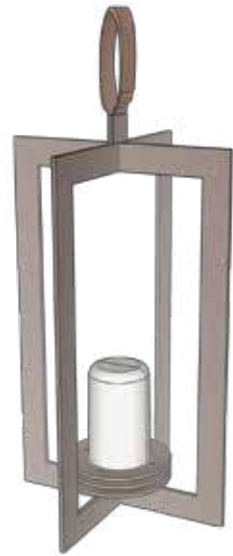
RECHARGEABLE / AUTONOMOUS LED LAMP

- 300 LUMENS
- 2700° K.
- 3 powers : 1W / 3W / 5W
- dimmable
- waterproof IP 54
- sector recharge
- autonomy : from 5H. to 25H.



Sense of refinement

Autonomous lantern Andrea



- use :
lighting entrance, terrace, balcony, ...
- epoxy paint finishing
- dimensions : 260 x 260 x 580 mm



Ivory

Charcoal grey
(RAL 7021)

Corten rust

RECHARGEABLE / AUTONOMOUS LED LAMP

- 300 LUMENS
- 2700° K.
- 3 powers : 1W / 3W / 5W
- dimmable
- waterproof IP 54
- sector recharge
- autonomy : from 5H. to 25H.



autonomous and free

Autonomous lantern LAA 500



- use :
lighting entrance, terrace, balcony, ...
- epoxy paint finishing
- dimensions : 245 x 245 x 455 mm



Ivory

Charcoal grey
(RAL 7021)

Corten rust

RECHARGEABLE / AUTONOMOUS LED LAMP

- 300 LUMENS
- 2700° K.
- 3 powers : 1W / 3W / 5W
- dimmable
- waterproof IP 54
- sector recharge
- autonomy : from 5H. to 25H.



... In an effort to reduce our impact on the environment

The shipment of our lamps requires an important level of protection.

We manufacture dust covers in French linen that are fully redeemable and reusable.

Once returned, dust covers are reused to ship our products.

Our objective is to progressively eliminate the use of plastic in our activity.



Housse de protection
CONSIGNÉE



D u s t c o v e r
REFUND VALUE

Reused packaging

We also reuse wooden pallets and cartons from our partners to pack and ship our products.



Emballage carton & palette en bois

RÉUTILISÉS



R E U S E D

Cardboard packaging & wooden pallet

More information
on the refund value of our dust covers :
www.LYX-luminares.com/NOTICES



LYX
LUMINAIRES

www.LYX-luminaires.com